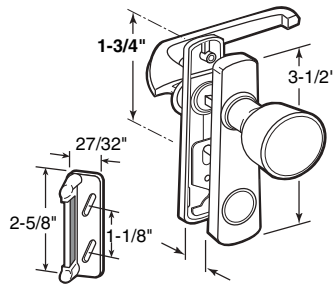


K-5000
K-5001
K-5002
K-5121
K-5170



5/8" to 1-1/4" thick doors

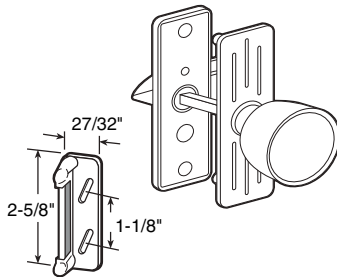
K-5000 (Aluminum)
K-5001 (Black)
K-5002 (Gold)
K-5121 (White)
K-5170 (Chocolate brown)

Tulip Knob Latch

Contents: 1 outside knob; 1 inside latch; 1 strike; 1 set of installation screws.

Description: Designed for outswinging wood or metal, screen or storm doors; **5/8" to 1-1/4" thick**, complete with night lock; **(1-3/4" hole spacing)**.

You may also wish to stock these related parts: **K-5003, K-5004, K-5027, K-5028.**



K-5077

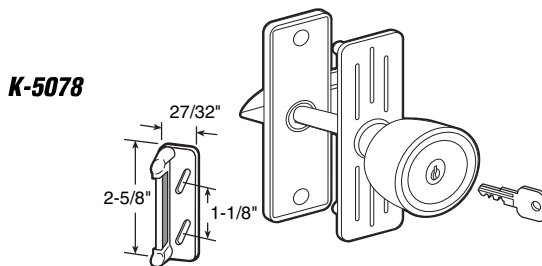
K-5077 (Aluminum)

Tulip Knob Latch

Contents: 1 outside knob; 1 inside handle; 1 strike; 1 set of installation screws.

Description: For most outswinging doors **1" to 1-1/4" thick**; interior locking mechanism; **(3" hole spacing)**.

You may also wish to stock these related parts: **K-5058, K-5067, K-5074, K-5078.**



K-5078

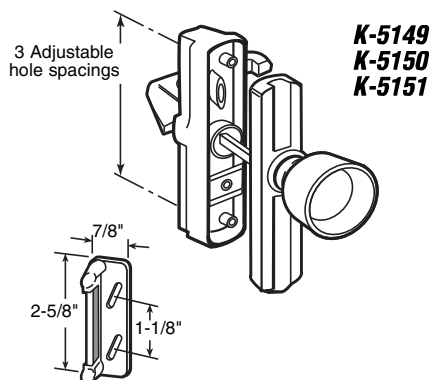
K-5078 (Aluminum)

Tulip Knob Lock

Contents: 1 outside locking knob; 1 inside handle; 1 strike; 2 keys; 1 set of installation screws.

Description: For most outswinging doors **1" to 1-1/4" thick**; key-in knob is used for re-entry only; **(3" hole spacing)**.

You may also wish to stock these related parts: **K-5058, K-5067, K-5073, K-5074, K-5076.**



K-5149
K-5150
K-5151

K-5149 (Aluminum)

K-5150 (Black)

K-5151 (White)

Universal Knob Latch (Adjustable hole centers)

Contents: 1 outside knob; 1 inside handle; 1 strike; 2 shims; 2 screw inserts; 1 set of installation screws.

Description: For outswinging doors **5/8" to 1-1/4" thick**; interior locking; movable screw inserts to accommodate **(1-1/2", 1-3/4" and 3" hole spacing)**.

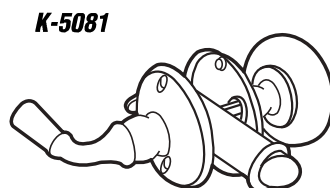
K-5081 (Polished brass)

Mortise Door Lock

Contents: 1 outside knob; 1 inside handle; 1 mortise latch; 2 backplates; includes all installation parts.

Description: **Solid brass (knob, handle & backplates)**; for wood and metal doors **7/8" to 1-3/8" thick**; interior locking mechanism; round outside knob and lever action inside handle; primarily used on wood doors; requires a **1-3/4" backset**.

You may also wish to stock these related parts: **K-5026, K-5027, K-5028, K-5067, K-5073, K-5074, K-5076.**



K-5081

Storm and Screen Door

K-5006 (Aluminum)
K-5007 (Black)
K-5008 (Gold)
K-5145 (White)

Push Button Latch

Contents: 1 outside handle; 1 inside latch; 1 strike; 1 set of installation screws.

Description: Designed for outswinging wood or metal, screen or storm doors; **5/8" to 1-1/4" thick**, complete with night lock; (**1-3/4" hole spacing**).

You may also wish to stock these related parts: **K-5003, K-5004, K-5027, K-5028.**

K-5070 (Aluminum)
K-5071 (Black)
K-5116 (White)
K-5171 (Chocolate brown)

Push Button Latch

Contents: 1 outside handle; 1 inside latch; 1 strike; 1 set of installation screws.

Description: Designed for outswinging wood or metal, screen or storm doors; **1" to 1-1/4" thick**; complete with night lock; contemporary design with tie-down screw at bottom of handle; (**1-3/4" hole spacing**); for **key locking**, use **K-5024**.

You may wish to stock these related parts: **K-5027, K-5028.**

K-5107 (Aluminum)
K-5082 (Black)

Push Button Latch

Contents: 1 outside handle; 1 inside latch; 1 strike; 1 set of installation screws.

Description: For outswinging screen and storm doors **1" to 1-1/4" thick**; interior locking and no-lockout feature; (**1-1/2" hole spacing**).

You may wish to stock these related parts: **K-5026, K-5028, K-5073, K-5076, K-5082.**

K-5089 (Aluminum)
K-5090 (Black)
K-5140 (White)

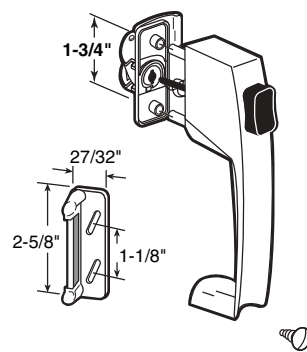
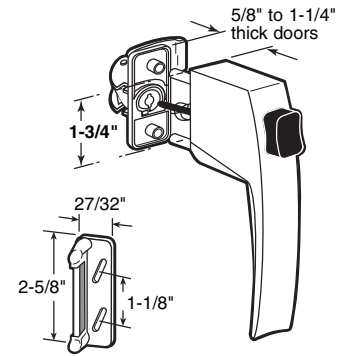
Push Button Lock

Contents: 1 outside handle; 1 inside latch; 1 keyed locking unit; 1 strike; 1 set of installation screws.

Description: Designed for outswinging wood or metal, screen or storm doors, **1" to 1-1/4" thick**; contemporary design with tie-down screw at bottom of handle; (**1-3/4" hole spacing**).

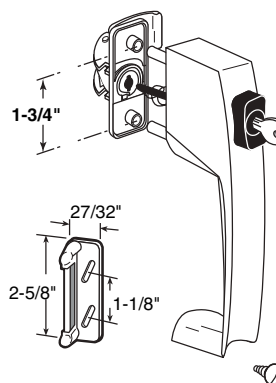
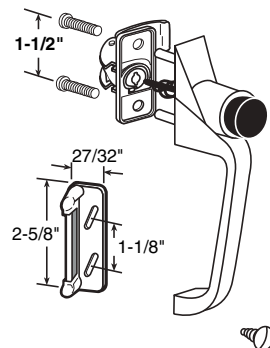
You may wish to stock these related parts: **K-5027, K-5028.**

K-5006
K-5007
K-5008
K-5145



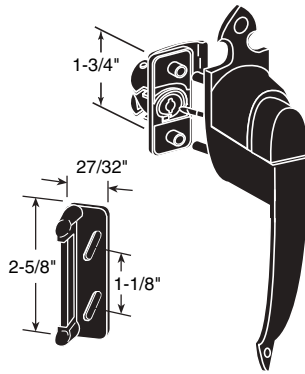
K-5070
K-5071
K-5116
K-5171

K-5107
K-5082



K-5089
K-5090
K-5140

K-5079



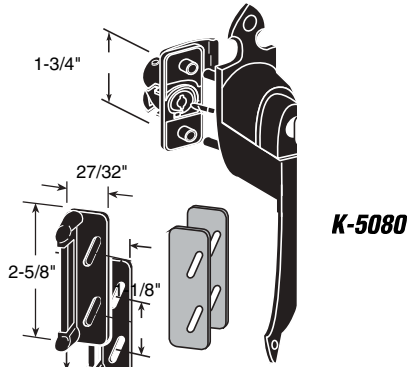
K-5079 (Black)

Colonial Push Button Latch

Contents: 1 outside handle; 1 inside latch; 1 strike; 1 set of installation screws.

Description: For outswinging screen and storm doors **1" to 1-1/4" thick; black hammered finish;** interior locking and no-lockout feature; **(1-3/4" hole spacing)**.

You may wish to stock these related parts: **K-5026, K-5028, K-5073, K-5076, K-5099.**



K-5080 (Black)

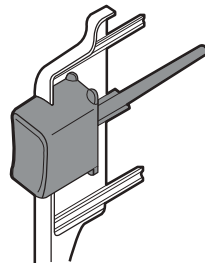
Colonial Push Button Lock

Contents: 1 outside handle; 1 inside latch; 1 keyed locking unit; 1 strike; 1 set of installation screws.

Description: For outswinging screen and storm doors **1" to 1-1/4" thick; black hammered finish;** interior locking and no-lockout feature; keyed locking push button for outside key control; **(1-3/4" hole spacing)**.

You may wish to stock these related parts: **K-5026, K-5028.**

K-5012



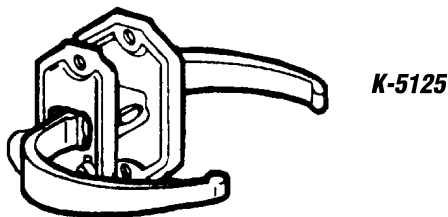
K-5012

Replacement Push Button

Contents: 1 push button spindle.

Description: **Black plastic** push button; replacement for most / pushbutton type latches.

You may wish to stock these related parts: **K-5006, K-5007, K-5070, K-5071.**



K-5125 (Aluminum)

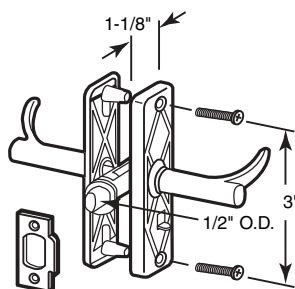
Push/Pull Latch

Contents: 1 inside/outside pull handle; 2 cover plates; 1 set of installation screws.

Description: Popular for wood or metal doors; **installs in 1" dia. single hole;** no mortising; for outswinging doors **1" to 1-3/8" thick;** pull to open from outside, push to open from inside; **backset 11/16"** from surface of stop on jamb.

You may also wish to stock these related parts: **K-5009, K-5010, K-5011, K-5074, K-5076.**

K-5052
K-5101



K-5052 (Aluminum)

K-5101 (Black)

Door Latch

Contents: 1 outside handle; 1 inside handle; 1 mortise bolt; 1 strikeplate; 1 set of installation screws.

Description: Designed to fit most combination screen and storm doors; **reversible;** internal lock for extra security; accepts **7/8" to 1-1/4" door thickness;** **3/4" backset;** uses **3" hole spacing.**

You may also wish to stock these related parts: **K-5053, E-2151**(keyed locking cylinder).

Storm and Screen Door

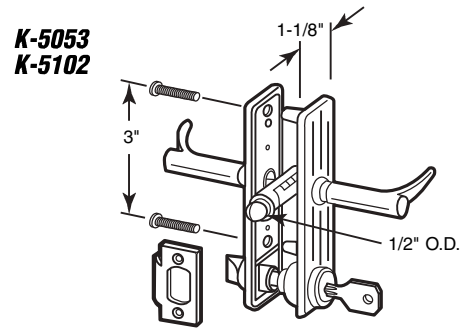
K-5053 (Aluminum)
K-5102 (Black)

Door Lock

Contents: 1 outside handle; 1 inside handle; 1 mortise bolt; 1 strikeplate; 1 locking cylinder; 1 set of installation screws.

Description: Designed to fit most combination screen and storm doors; exterior key cylinder (**E-2151**); **reversible**; accepts **7/8"** to **1-1/4"** door thickness; **3/4"** backset; uses **3"** hole spacing.

You may also wish to stock these related parts: **K-5052**, **E-2151**.



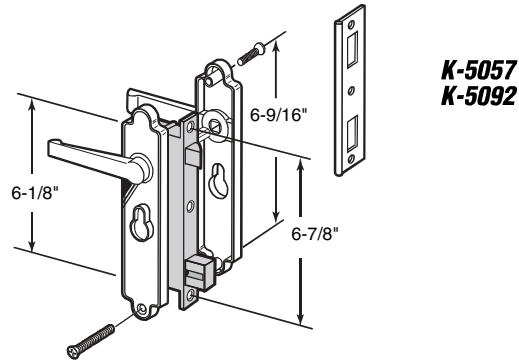
K-5057 (Black)
K-5092 (Black with locking cylinder)

Security Door Mortise Lock

Contents: 1 inside handle; 1 outside handle; 1 spindle; 1 mortise lock assembly; 1 strikeplate; (1 locking cylinder); 1 set of installation screws.

Description: Heavy duty **diecast**, **low profile**, lever handled mortise lock; **brass plated steel** strike; as supplied on wire mesh type security doors; uses **K-5061** double key cylinder; used on **Academy** doors.

You may also wish to stock related parts: **K-5062**, **K-5073**.



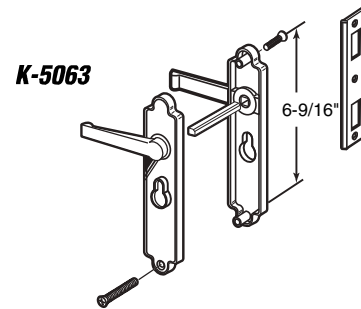
K-5063 (Black)

Mortise Lock Levers Only

Contents: 1 inside handle; 1 outside handle; 1 spindle; assembly screws.

Description: **Diecast** inside and outside handle assemblies for use on **K-5057** & **K-5092**.

You may also wish to stock these related parts: **K-5057**, **K-5061**, **K-5062**, **K-5064**.



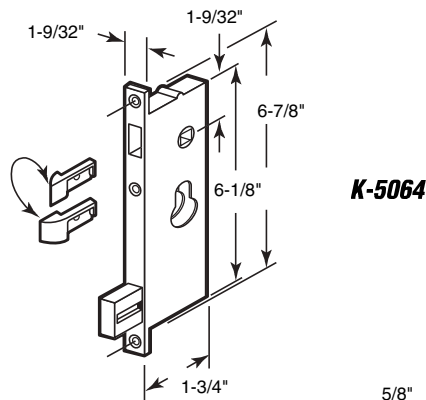
K-5064

Mortise Lock Insert

Contents: 1 mortise lock insert.

Description: Heavy duty **diecast** mortise lock insert; non-handed; **reverse latchbolt** for left or right-hand application; used with **K-5057** & **K-5092**.

You may also wish to stock these related parts: **K-5057**, **K-5061**, **K-5062**, **K-5063**.



K-5056 (Black)
K-5091 (Black with locking cylinder)

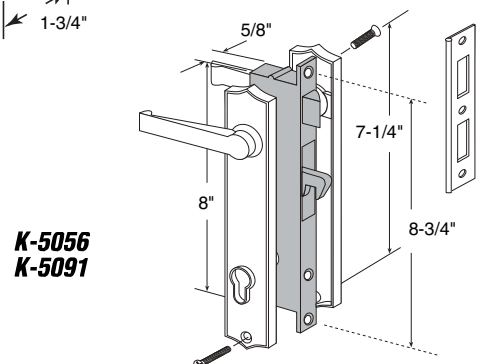
Call for Availability

Security Door Mortise Lock

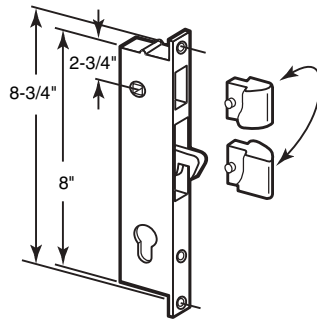
Contents: 1 inside handle; 1 outside handle; 1 spindle; 1 mortise lock assembly; 1 strikeplate; (1 locking cylinder); 1 set of installation screws.

Description: Heavy duty **diecast**, **low profile**, lever handled mortise lock; **brass plated steel** strike; as supplied on wire mesh type security doors; uses **K-5061** double key cylinder; used on **Columbia** doors.

You may wish to stock these related parts: **K-5059**, **K-5061**, **K-5073**.



K-5066



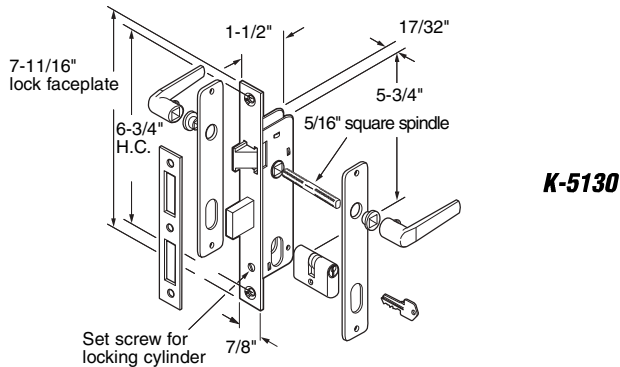
K-5066

Mortise Lock Insert

Contents: 1 mortise lock insert.

Description: Heavy duty **diecast** mortise lock insert; non-handed; **reverse latchbolt** for left or right hand application; used with **K-5056 & K-5091**.

You may wish to stock these related parts: **K-5059, K-5061, K-5062, K-5065**.



K-5130

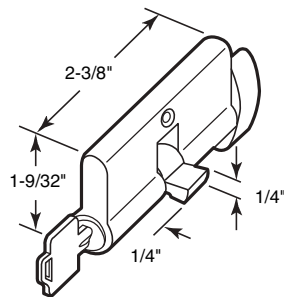
K-5130 (Brass finish)

Storm Door Mortise Lock

Contents: 1 mortise lock; 1 strike; 2 trim plates; 2 lever handles; 1 locking cylinder with 2 keys; 1 set of installation fasteners.

Description: **Stamped steel** mortise case; **solid brass** trim plates; **brass plated, diecast**, low profile handles; **solid brass** double keyed, 5 pin tumbler cylinder lock; for **1" to 1-1/2" thick** storm doors; used by several manufacturers.

K-5105
K-5062



K-5105 (*Schlage* keyway)

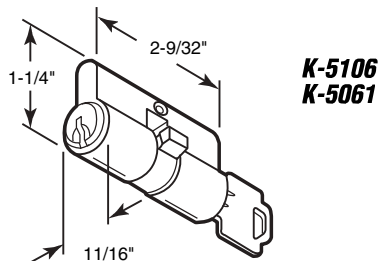
K-5062 (*Kwikset* keyway)

Locking Cylinder With Thumbturn

Contents: 1 cylinder with key.

Description: **Solid brass 5 pin tumbler**; used with security screen door mortise locking devices; adjusts to most door thicknesses.

You may also wish to stock these related parts: **K-5056, K-5057, K-5061, K-5062, K-5063, K-5064, K-5065**.



K-5106
K-5061

K-5106 (*Schlage* keyway)

K-5061 (*Kwikset-Weiser* keyway)

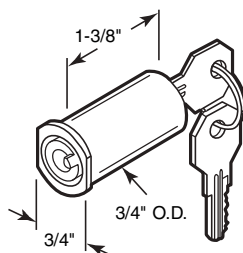
Locking Cylinder (Double keyed)

Contents: 1 cylinder; 2 keys

Description: **Double keyed, solid brass, 5 pin tumbler**; used with security screen door mortise locking devices; adjusts to most door thicknesses; for interior and exterior key locking.

You may also wish to stock these related parts: **K-5056, K-5057, K-5061, K-5062, K-5063, K-5064, K-5065**.

K-5021



K-5021

Locking Unit

Contents: 1 locking cylinder with 2 keys.

Description: Key cylinder unit converts most **1-3/4" hole spacing knob latches** to key operating units; one size fits doors **5/8" to 1-1/4" thick**.

You may also wish to stock these related parts: **K-5000, K-5001, K-5022, K-5152**.

Storm and Screen Door

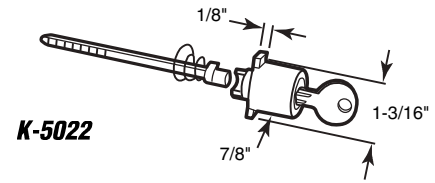
K-5022

Locking Unit

Contents: 1 push button locking cylinder; 1 latch activator shaft.

Description: Push button locking cylinder is used to convert *Id* SK-980 (12-80) push button latches to key operating units.

You may also wish to stock these related parts: **K-5021**.



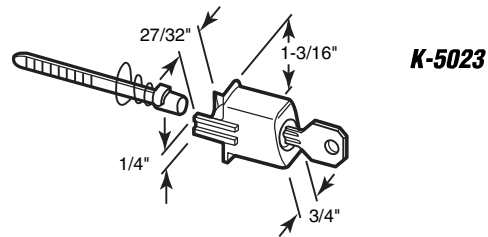
K-5023

Locking Unit

Contents: 1 push button locking cylinder; 1 latch activator.

Description: Push button locking unit replaces regular push button and converts latch to key lock; used on *Id Style* latches.

You may wish to stock these related parts: **K-5020, K-5024**.



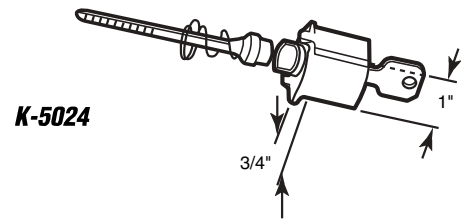
K-5024

Locking Unit

Contents: 1 push button locking cylinder; 1 latch activator shaft.

Description: Push button locking unit replaces regular push button and converts latch to key lock; fits **K-5070, K-5071, K-5116 & K-5171** handles; also used on *Id* latches.

You may also wish to stock these related parts: **K-5006, K-5007, K-5008, K-5020**.



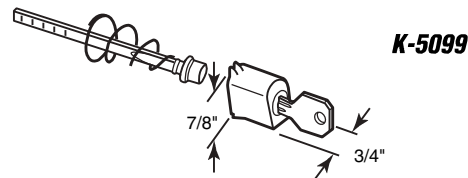
K-5099 (Black)

Locking Unit

Contents: 1 push button locking cylinder; 1 latch activator shaft.

Description: Push button locking unit replaces regular push button and converts latch to key lock; use on *"Colonial"* handle sets **K-5079 & K-5080**.

You may also wish to stock these related parts: **K-5003, K-5004, K-5079**.

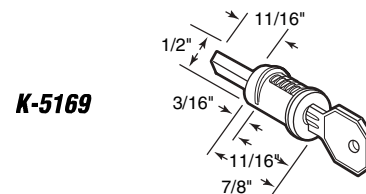


K-5169 (1-1/8" thick door)

Locking Unit

Contents: 1 lock with 2 keys.

Description: Wafer type; diecast housing; used to keylock handle sets **K-5053, K-5101** and **K-5102**.

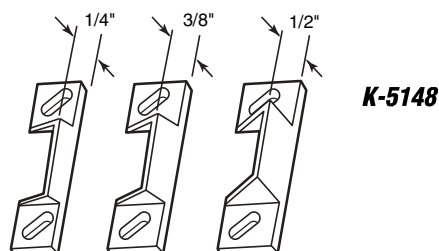


K-5148

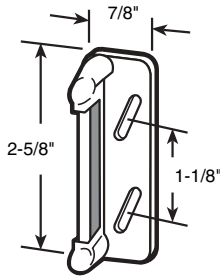
Strike Plates

Contents: 3 strike assortment; installation screws.

Description: Zinc diecast strike plates with slotted holes for universal use with a variety of retractable inside latches



K-5003
K-5004
K-5005
K-5117



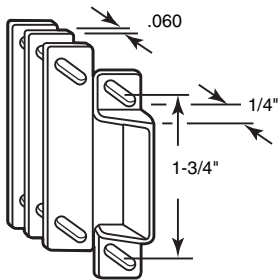
K-5003 (Aluminum)
K-5004 (Black)
K-5005 (Gold)
K-5117 (White)

Strike Plate

Contents: 1 strike; 2 shim plates; 1 set of installation screws.

Description: Resilient strike is used on latches with a **rigid interior latch**; adjustable to fit most installations.

You may wish to stock these related parts: **K-5003, K-5004.**



K-5009
K-5010
K-5011

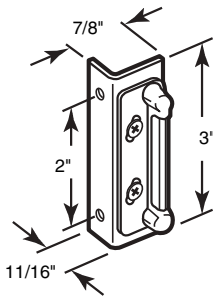
K-5009 (Aluminum)
K-5010 (Black)
K-5011 (Gold)

Strike Plate

Contents: 1 strike; 2 shim plates; 1 set of installation screws.

Description: Diecast strikeplate is used on latches with a **spring loaded retractable inside latch**; adjustable to fit most installations.

K-5013
K-5014
K-5015



K-5013 (Aluminum)
K-5014 (Black)
K-5015 (Gold)

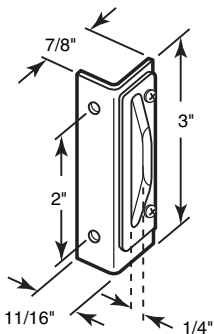
Strike Plate (Double door)

Contents: 1 strikeplate; 1 set of installation screws.

Description: For **double** screen door installations when used with a rigid interior latch; mounts onto fixed panel.

You may also wish to stock these related parts: **K-5000, K-5006, K-5019.**

Call for Availability



K-5016

K-5016 (Aluminum)

Strike Plate (Double door)

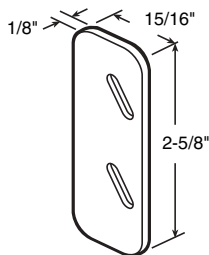
Contents: 1 strikeplate; 1 set of installation screws.

Description: For **double screen door** installations when used with a retractable inside latch; mounts onto fixed panel.

You may wish to stock these related parts: **K-5000, K-5006, K-5019.**

Call for Availability

K-5100



K-5100

Shim Plates (Plastic)

Contents: 4-1/8" thick shims.

Description: Plastic shim for use with spring loaded strike plate, allows strike to be raised from door stop to make firm contact with latch.

You may wish to stock these related parts: **K-5000, K-5001, K-5003 thru K-5006, K-5007, K-5112, K-5070, K-5071.**

Storm and Screen Door

K-5025 (Aluminum)

K-5098 (Black)

Inside Latching Handle

Contents: 1 inside latch assembly.

Description: Inside latching unit has rigid latch face; used to replace many (knob latch) interior latches, with **1-3/4" hole centers**.

You may also wish to stock these related parts: **K-5003, K-5004, K-5005.**

K-5096 (Aluminum)

K-5097 (Black)

Outside Handle

Contents: 1 outside latch assembly.

Description: Spring loaded outside knob latch used to repair most knob-type latches; **1-3/4" hole spacing.**

You may also wish to stock these related parts: **K-5025, K-5027, K-5098.**

K-5133 (Black - 1-1/2" hole centers)

K-5134 (Aluminum - 1-1/2" hole centers)

K-5135 (Aluminum - 1-3/4" hole centers)

K-5136 (Black - 1-3/4" hole centers)

Inside Latching Handle

Contents: 1 inside latch assembly.

Description: Inside latch; used to repair most push button type latches using resilient strikes.

You may also wish to stock these related parts: **K-5006, K-5007, K-5082, K-5107.**

K-5050 (Brass plated)

Pull Handle

Contents: 1 handle; 1 set of installation screws.

Description: **Wrought steel construction;** a traditional pull handle used on most wood screen doors.

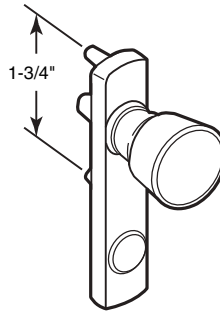
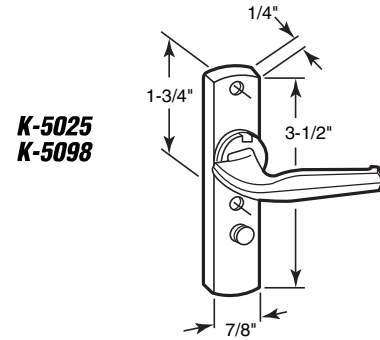
You may also wish to stock these related parts: **K-5043, K-5044.**

K-5037

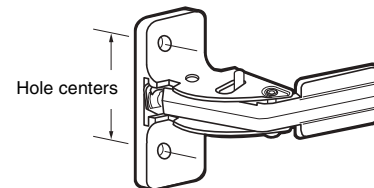
Brace with Turn Buckle

Contents: 1 turn buckle; 2 rods; 1 set of installation screws.

Description: Brace system used on wood screen and storm doors to protect against warping; **1/4" diameter steel rods;** diecast turn buckle; **42" total length.**



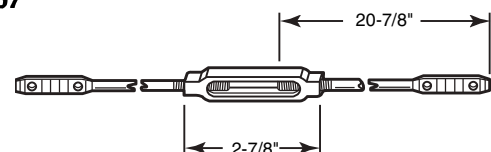
K-5133
K-5134
K-5135
K-5136

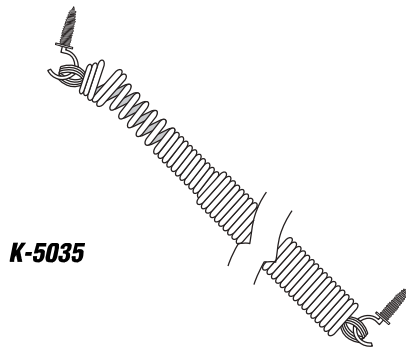


K-5050



K-5037





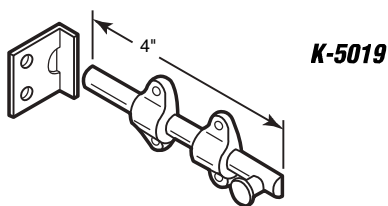
K-5035

Adjustable Door Spring

Contents: 1 spring assembly; 2 hooks.

Description: Zinc plated steel spring offers, **positive tension adjustment** for most storm and screen doors; turn adjusting spring in or out of main spring to change tension for light or heavy doors.

Note: For bulk, non-adjustable, springs see page K-15.



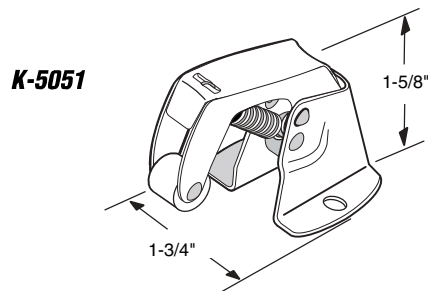
K-5019 (Chrome)

Slide Bolt

Contents: 1 bolt with strikeplate; 1 set of installation screws.

Description: Slide bolt used on double screen door installations; locks the fixed panel into place.

You may also wish to stock these related parts: **K-5013, K-5014, K-5015, K-5016.**



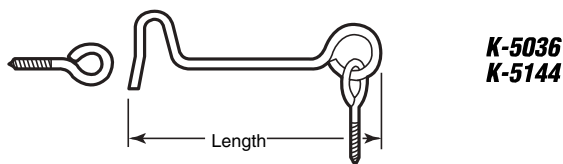
K-5051

Door Catch

Contents: 1 catch; 1 set of installation screws.

Description: Zinc plated steel; designed to fit all types of doors; **no-mar roller**; will work on most door and casing thicknesses; holds door in closed position.

You may also wish to stock these related parts: **K-5043, K-5044.**



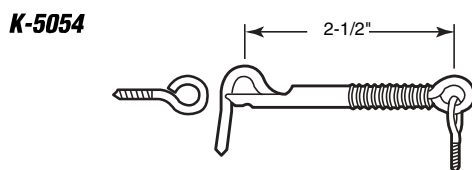
K-5036 (2-1/2")

K-5144 (2")

Hook and Eye

Contents: 2 hooks; 2 eyes.

Description: Zinc plated steel hook used to secure wood screen door to jamb.



K-5054

Hook and Eye

Contents: 2 hooks; 2 eyes.

Description: Zinc plated steel hook with **safety catch**; for wood screen doors; reduces chance of inadvertent hook removal.

Storm and Screen Door

K-5045

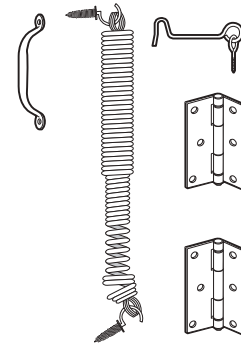
Wood Screen Door Kit

Contents: 1 handle; 1 hook; 2 butt hinges; 1 adjustable spring; 2 shims and the installation fasteners.

Description: The handle, hook and hinges are **brass plated steel**; the spring is **gold iridite spring steel**; use for left or right hand installations; hinges are reversible for surface or edge mounting and the adjustable spring allows for tension adjustment for light or heavy doors.

You may wish to stock these related parts: **K-5026, K-5035, K-5038, K-5039.**

K-5045



K-5159

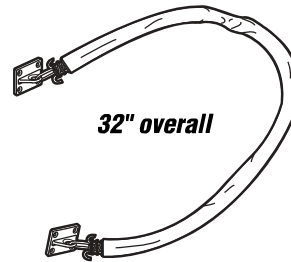
Protector Chain (Commercial)

Contents: 1 chain assembly; 1 vinyl cover; 1 adjustment link; 1 set of installation screws.

Description: **Satin chrome** chain with heavy duty **diecast zinc** mounting plates; has 2 compression springs and vinyl protective cover; designed for heavy doors; **adjustable from 20" to 30-1/2"**.

32" overall

K-5159



K-5026 (Aluminum)

K-5141 (Black)

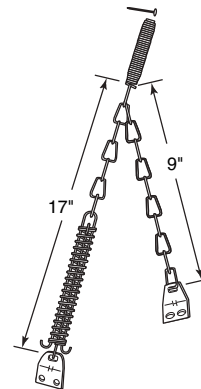
Protector Chain

Contents: 1 chain assembly with attaching hardware.

Description: Protects wood or metal outswinging doors from wind damage; heavy gauge **spring wire** and **steel chain** installs to door and jamb.

You may wish to stock these related parts: **K-5038, K-5039.**

**K-5026
K-5141**



K-5137

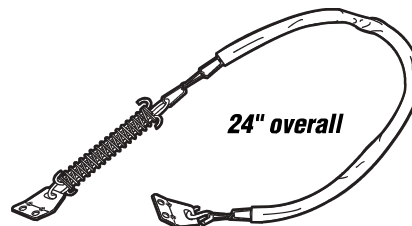
Deluxe Protector Chain

Contents: 1 chain assembly with vinyl cover; attaching hardware.

Description: Protects wood or metal outswinging doors from wind damage; vinyl cover protects doors against scratching; heavy gauge **wire spring** and **steel chain**; installs to door and jamb.

24" overall

K-5137



K-5038 (Aluminum)

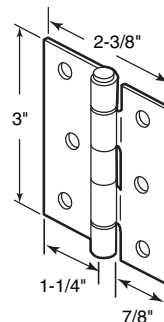
K-5039 (Black)

Replacement Hinge (Steel)

Contents: 2 hinges; 1 set of installation screws.

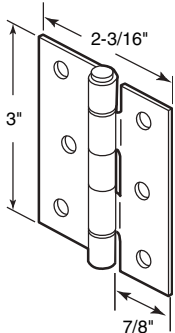
Description: **Painted steel hinge**; use for full or half mortise installations.

You may wish to stock these related parts: **K-5000, K-5006.**



**K-5038
K-5039**

K-5142

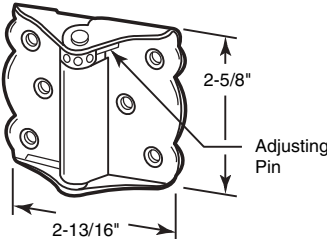


K-5142

Replacement Hinge (Aluminum)

Contents: 2 hinges; 1 set of installation screws.

Description: Aluminum hinges with brass oilite bearings; for wood or metal screen or storm doors.



**K-5043
K-5044**

K-5043 (Black)
K-5044 (Brass)

*Call for
Availability*

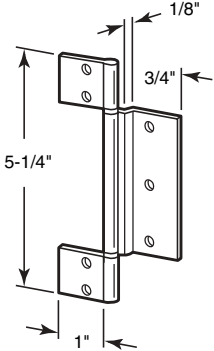
Self-Closing Hinge

Contents: 2 hinges; 1 set of installation screws.

Description: Painted or plated stamped steel hinge is spring loaded for automatic closing; adjustable spring tension; for most wood screen doors.

You may wish to stock these related parts: **K-5049, K-5050.**

K-5093



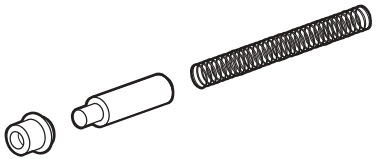
K-5093

Replacement Hinge

Contents: 1 hinge; 1 set of #8 x 1/2" pan head installation screws.

Description: Extruded aluminum; 3-piece assembly; 1/8" offset center leaf; used by many screen door manufacturers.

You may wish to stock these related parts: **K-5000, K-5067.**



K-5131

K-5131 (White)

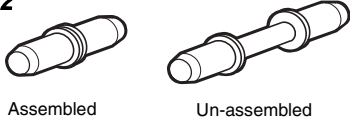
Hinge Pins and Bushings

Contents: 6 pins; 6 bushings; 3 springs.

Description: Nylon pins and bushings; used in storm door hinges by several manufacturers.

You may wish to stock these related parts: **K-5000, K-5067.**

K-5132



Assembled

Un-assembled

K-5132 (Black)

Hinge Pins

Contents: 6 pins.

Description: Nylon hinge pins and bushings; used in hinges on *Croft* storm doors.

You may wish to stock these related parts: **K-5000, K-5067.**

Storm and Screen Door

- K-5027** (Aluminum)
- K-5028** (Black)
- K-5029** (Gold)
- K-5118** (White)
- K-5172** (Chocolate brown)

Pneumatic Closer

Contents: 1 closer with mounting brackets and attaching hardware.

Description: Specifically designed for **medium weight doors**; **internally lubricated, adjustable** closing power and **"fast latch"** feature insures door is latched securely.

You may wish to stock these related parts: **K-5000, K-5006.**

- K-5103** (Aluminum)
- K-5104** (Black)
- K-5158** (White)

Pneumatic Closer

Contents: 1 closer with mounting brackets and attaching hardware.

Description: Specifically designed for **light weight West Coast** screen doors; **internally lubricated, adjustable** closing power insures door is latched securely.

You may wish to stock these related parts: **K-5000, K-5006, K-5027.**

- K-5067** (Aluminum)
- K-5073** (Black)
- K-5119** (White)
- K-5173** (Chocolate brown)

Pneumatic Closer

Contents: 1 closer with mounting brackets and attaching hardware.

Description: **Standard duty** screen or storm door closer; **adjustable** closing speed; used on **medium weight** doors.

You may wish to stock these related parts: **K-5000 thru K-5008, K-5031, K-5033, K-5034.**

- K-5074** (Aluminum)
- K-5076** (Black)

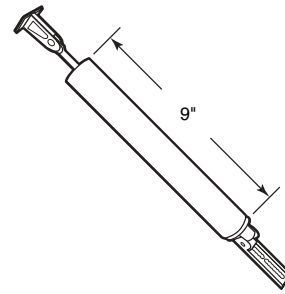
Pneumatic Closer (With shock-spring)

Contents: 1 closer with mounting brackets and attaching hardware.

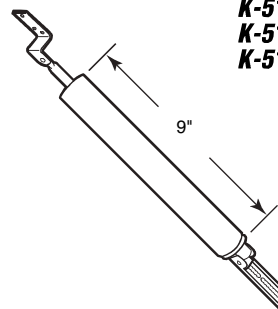
Description: **Heavy duty** storm door closer; **adjustable** closing speed; used on **medium to heavy weight** doors.

You may wish to stock these related parts: **K-5000, K-5008, K-5026, K-5038, K-5039, K-5081.**

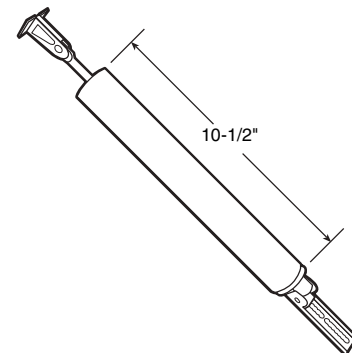
K-5027
K-5028
K-5029
K-5118
K-5172



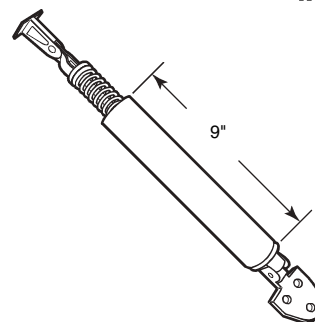
K-5103
K-5104
K-5158



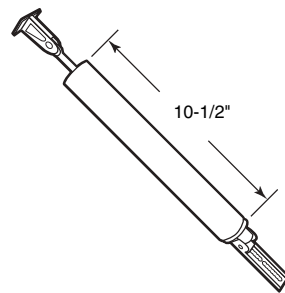
K-5067
K-5073
K-5119
K-5173



K-5074
K-5076



K-5058
K-5059



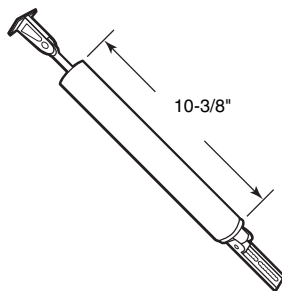
K-5058 (Aluminum)
K-5059 (Black)

Hydraulic Closer

Contents: 1 closer with mounting brackets and attaching hardware.

Description: Hydraulic door closer for medium to heavy weight doors; fully adjustable by twisting barrel; hold open in any position.

You may wish to stock these related parts: **K-5000** thru **K-5011**, **K-5027**, **K-5028**, **K-5038**, **K-5039**, **K-5074**, **K-5076**.



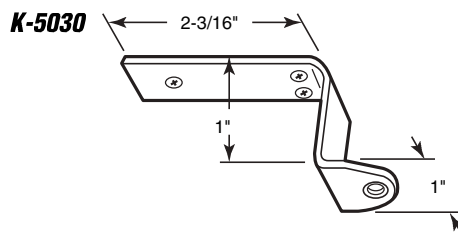
K-5108
K-5109
K-5120
K-5174

K-5108 (Aluminum)
K-5109 (Black)
K-5120 (White)
K-5174 (Chocolate brown)

Pneumatic Closer (1-1/2" Barrel)

Contents: 1 closer with mounting brackets and attaching hardware.

Description: Heavy duty closer as used on heavy storm doors; adjustable closing speed; some doors require two closers.



K-5030

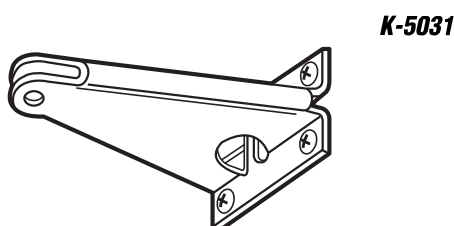
K-5030

Jamb Bracket (Top mount)

Contents: 1 bracket; 3 installation screws.

Description: Top mounting jamb bracket used with pneumatic door closers; stamped steel; ideal for narrow stop installations.

You may also wish to stock these related parts: **K-5031**, **K-5032**, **K-5033**, **K-5103**, **K-5104**, **K-5158**.



K-5031

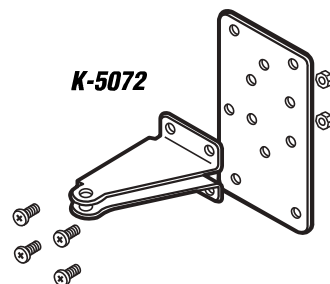
K-5031

Jamb Bracket (Side mount)

Contents: 1 bracket; 1 set of installation screws.

Description: Side mounting jamb bracket used with pneumatic door closers; stamped steel.

You may also wish to stock these related parts: **K-5030**, **K-5032**, **K-5033**, **K-5067**, **K-5073**, **K-5119**.



K-5072

K-5072

Jamb Bracket with Plate

Contents: 1 jamb bracket; 1 cover plate; 1 set of installation screws.

Description: Cadmium plated steel bracket and plate; plate bolts to bracket; used when installing over damaged jamb.

You may also wish to stock these related parts: **K-5000**, **K-5008**, **K-5070**, **K-5071**, **K-5082**.

Storm and Screen Door

K-5032

Door Bracket

Contents: 1 bracket; 1 set of installation screws.

Description: Bracket used to mount tube type closers to door surfaces; **stamped steel**.

You may also wish to stock these related parts: **K-5030, K-5032, K-5033.**

K-5033

Door Bracket

Contents: 1 bracket; 1 set of installation screws.

Description: Bracket used to mount tube type storm door closers to door surfaces; **stamped steel**; used on *Id* *ty "17-90 and 17-91"* series closers.

You may also wish to stock these related parts: **K-5030, K-5031, K-5032.**

K-5034

Closer Repair Kit

Contents: Jamb bracket pin; hold open clip; speed adjusting spring and screw.

Description: Replaces most of the parts that break or get lost on **pneumatic** screen and storm door closers.

You may also wish to stock these related parts: **K-5027, K-5028, K-5029.**

K-5110 (Knob latch kit - Aluminum)

K-5111 (Knob latch kit - Black)

K-5112 (Push button kit - Aluminum)

K-5113 (Push button kit - Black)

Hardware Kits (Boxed)

Contents: 1 latch; 1 closer; complete with all brackets, parts and fasteners.

Description: **Knob or push button latch**, 1-3/4" hole spacing, for outswinging screen doors, 5/8" to 1-1/4" thick; closer (**K-5103**-aluminum or **K-5104**-black) for **lightweight West Coast screen doors**, is internally lubricated.

K-5094 (Aluminum)

K-5095 (Black)

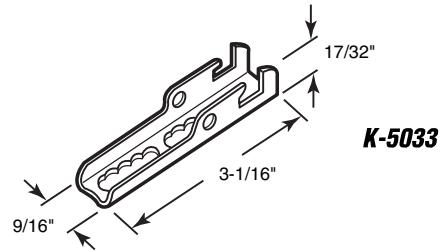
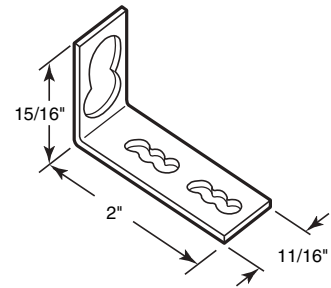
Hardware Kits (Boxed)

Contents: 1 pushbutton latch; 1 door closer; complete with all brackets, parts and fasteners.

Description: Pushbutton latch, 1-3/4" hole spacing, for outswinging screen doors, 5/8" to 1-1/4" thick; **adjustable** closer (**K-5027**-aluminum or **K-5028**-black) with **"fast latch"** feature for **medium weight doors**; internally lubricated.

You may also wish to stock these related parts: **K-5000, K-5003.**

K-5032



K-5034



1. Pin for jamb bracket



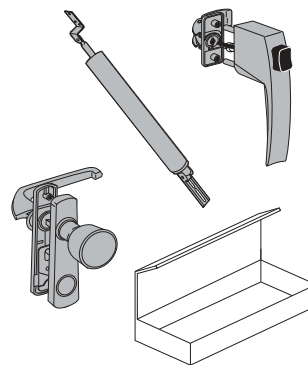
2. Hold open clip



3. Speed adjusting spring

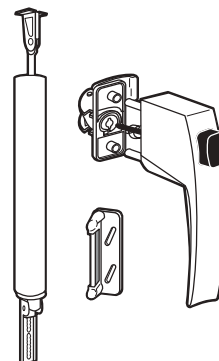


4. Speed adjusting screw



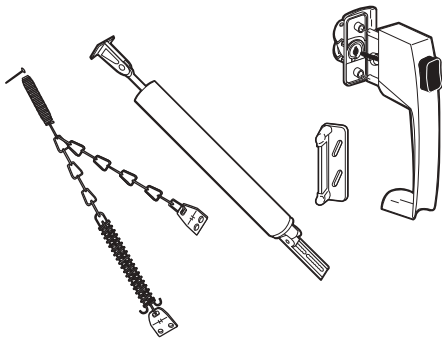
K-5110
K-5111
K-5112
K-5113

K-5094
K-5095



Storm and Screen Door

K-5075
K-5084
K-5143



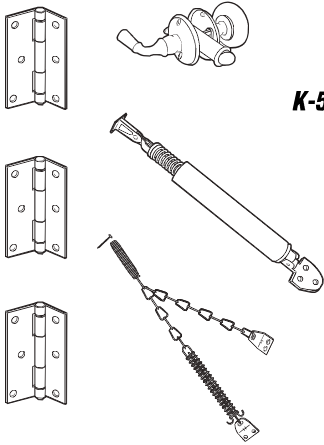
K-5075 (Black)
K-5084 (Aluminum)
K-5143 (White)

Hardware Kits (Carded)

Contents: 1 push button latch; 1 door closer; 1 chain; complete with all brackets, parts and fasteners.

Description: Push button latch, 1-3/4" hole spacing, with tie-down outside handle; door closer (**K-5073**-black or **K-5067**-aluminum) for **medium weight doors**; chain stop; for use on wood or metal doors **1" to 1-1/4" thick**.

You may also wish to stock these related parts: **K-5000, K-5008, K-5027, K-5028, K-5073, K-5074, K-5076.**



K-5083

K-5083

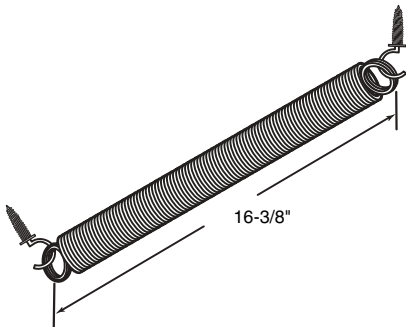
Deluxe Wood Door Kit (Carded)

Contents: 1 mortise door lock; 3, 3-1/2" hinges; 1 door closer; 1 storm door chain; complete with all brackets, parts and fasteners.

Description: **Solid brass** door lock (**K-5081**); **brass plated steel** hinges; **aluminum finish** closer (**K-5074**); **zinc plated** storm door chain (**K-5026**); for use on wood screen and storm doors **1" to 1-1/4" thick**.

You may also wish to stock these related parts: **K-5000, K-5008, K-5027, K-5028, K-5067, K-5073.**

Wood Screen Door Springs (Bulk)



Part No.	Outside Diameter	Wire	Finish	Qty. Per Box
K-5129	23/64"	.059	Black	10
SP-9640	5/16"	.050	Nickel	10
SP-9641	23/64"	.059	Nickel	10
SP-9642	13/32"	.060	Nickel	10
SP-9643	15/32"	.065	Nickel	10
SP-9644	1/2"	.075	Nickel	10

Contents: 10 springs with 20 hooks.

Description: **Painted and plated steel** springs; traditionally used on wood screen doors or gates.