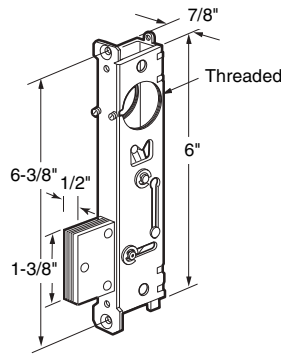


**J-4500
J-4501
J-4502**



Call for Availability

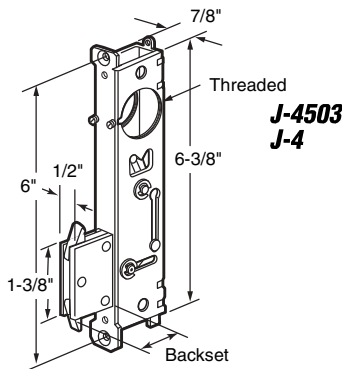
J-4500 (27/32" backset)
J-4501 (1" backset)
J-4502 (1-1/8" backset)

Deadbolt Lock

Contents: 1 deadbolt lock; 1 set of installation screws.

Description: **Steel housing;** single-point deadbolt lock for pivoting doors; **laminated steel bolt.**

Part no. J-4567 Faceplate (Aluminum finish)
J-4568 Faceplate (Brass finish)



Call for Availability

J-4503 (31/32" backset)
J-4504 (1-1/8" backset)

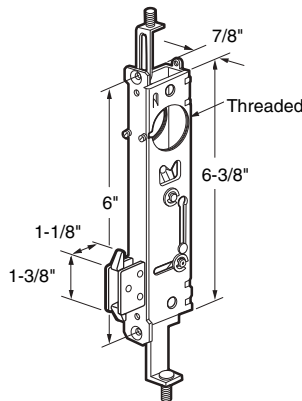
Deadbolt Lock

Contents: 1 deadbolt lock; 1 set of installation screws.

Description: **Steel housing;** single-point deadbolt lock for pivoting or sliding doors; has anti-jimmy bolt with two secondary expanding bolts. Used to replace **W&F series 6000**, or comparable locks.

Part No. J-4567 Faceplate (Aluminum finish)
J-4568 Faceplate (Brass finish)

-4



Call for Availability

J-4507 (31/32" backset)
J-4509 (1-1/8" backset)

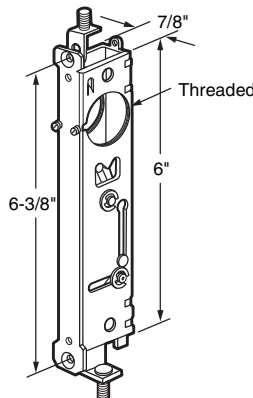
Deadbolt Lock

Contents: 1 deadbolt lock; 1 set of installation screws.

Description: **Steel housing;** three-point deadbolt lock for pivoting or sliding doors; locks at jamb, header and threshold; anti-jimmy type bolt has **hardened steel plates** and expanding secondary bolts. Used to replace **W&F series 6000**, or comparable locks.

Part no: J-4567 Faceplate (Aluminum finish)
J-4568 Faceplate (Brass finish)

J-4505



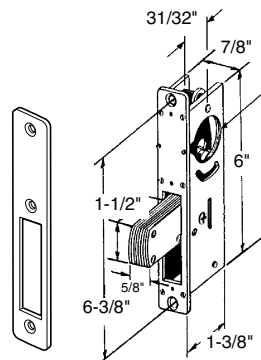
Call for Availability

**J-4505
Deadbolt Lock**

Contents: 1 deadbolt lock; 1 set of installation screws.

Description: **Steel housing;** two-point deadbolt lock for pivoting or sliding doors; locks at header and threshold.

**-4524
J-4525**



J-4524 (Aluminum)
J-4525 (Bronze)

Deadbolt Lock (31/32" backset)

Contents: 1 deadbolt lock **with face plate;** 1 set of installation screws.

Description: **Steel housing;** **laminated steel bolt,** activated by a pivot mechanism, provides maximum security for any single door; **aluminum** faceplate.

Commercial Door

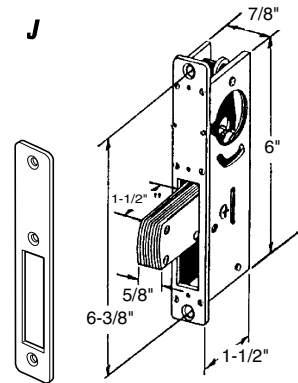
J-4526 (Aluminum)
J-4527 (Bronze)

Deadbolt Lock (1-1/8" backset)

Contents: 1 deadbolt lock with faceplate; 1 set of installation screws.

Description: Steel housing; laminated steel bolt, activated by a pivot mechanism, provides maximum security for any single door; anodized aluminum faceplate.

You may also wish to stock these related parts: **J-4512 thru J-4515.**



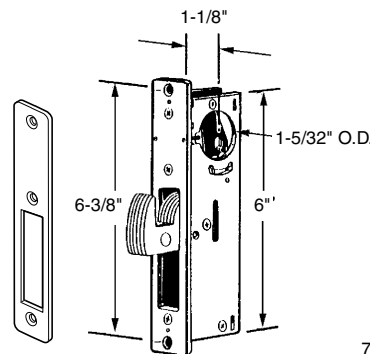
J-4558 (Aluminum)
J-4559 (Bronze)

Mortise Deadlock (1-1/8" backset)

Contents: 1 mortise deadlock with faceplate; 1 set of installation screws.

Description: Steel construction swing hook lock for commercial use; for sliding store front doors; anodized aluminum faceplate.

You may wish to stock these related parts: **J-4560, J-4561, J-4562, J-4563.**



J-4558
J-4559

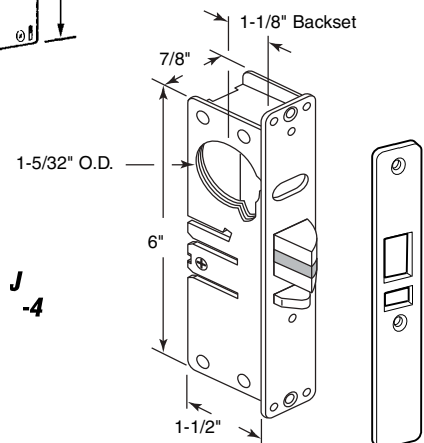
J-4574 (Aluminum)
J-4575 (Bronze)

Exit Door Deadlatch (1-1/8" backset)

Contents: 1 deadlatch lock with faceplate; 1 set of installation screws.

Description: Deadlatch allows exit only feature; commonly used after hours, for traffic control; anodized aluminum faceplate.

You may wish to stock these related parts: **J-4512 thru J-4515.**



J-4

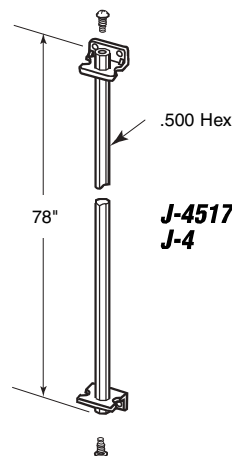
J-4517 (48" long)
J-4518 (78" long)

Bolt Assembly

Contents: 1 hex bolt; 2 hex guides; 1 set of installation screws.

Description: Hex bolt assembly for use in "Two Point" or "Three Point" lock installation; extruded aluminum bolt with nylon guides. Select appropriate length bolt assembly by determining door length.

You may wish to stock these related parts: **J-4505, J-4507, J-4509, J-4519.**



J-4517
J-4

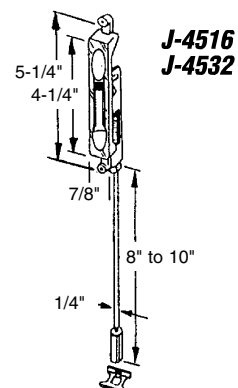
J-4516 (Aluminum)
J-4532 (Bronze)

Extension Bolt (Flush mount)

Contents: 1 extension bolt with installation screws.

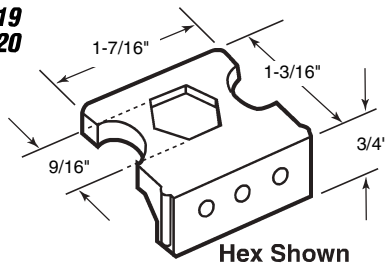
Description: Diecast extension bolt housing with adjustable (8"-10") bolt rod; for locking aluminum and steel doors; can be mounted to latch top or bottom of door.

You may wish to stock these related parts: **J-4564, J-4565.**



J-4516
J-4532

**J-4519
J-4520**



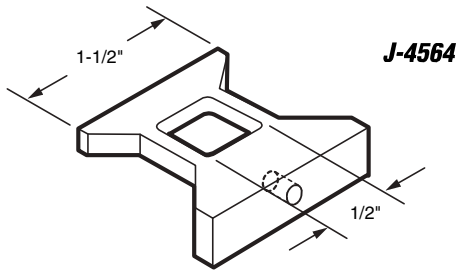
J-4519 (For hex bolts)
J-4520 (For 1/2" square bolts)

Bolt Guides

Contents: 2 guides; 2 sets of installation screws.

Description: Nylon guides secure bolt assembly to header and threshold; normal application is 2 per door.

You may wish to stock these related parts: **J-4516, J-4517, J-4518, J-4532.**

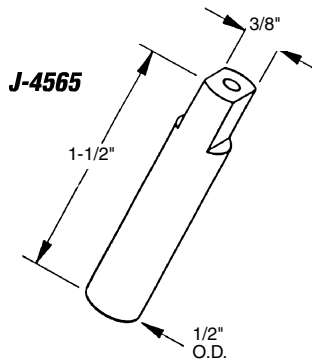


J-4564

Flush Bolt Guide

Contents: 1 nylon guide; installation screws.

Description: Guides bolt assembly when in operation; normal application is 2 per door. Use with **J-4516** and **J-4532** extension bolts.



J-4565

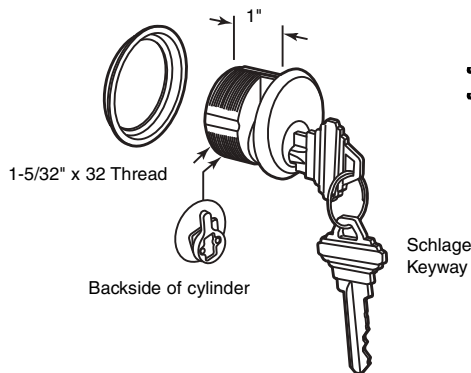
Extension Bolt Rod Tips

Contents: 2 tips.

Description: Nylon tips thread onto extension bolts of **J-4516** and **J-4532**.

You may wish to stock these related parts: **J-4516, J-4519, J-4532.**

Call for Availability



**J-4512
J-4513**

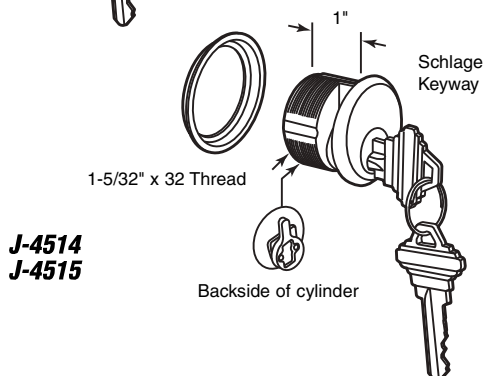
J-4512 (Aluminum)
J-4513 (Bronze)

Mortise Key Cylinder

Contents: 1 cylinder with trim ring, 1 key.

Description: Heavy duty, **pressure cast zamac** construction; 1" length; standard 1-5/32" x 32 thread; **Schlage keyway**.

You may wish to stock these related parts: **J-4510, J-4511, J-4530; J-4531, J-4535, J4536.**



**J-4514
J-4515**

J-4514 (Aluminum)
J-4515 (Bronze)

Mortise Key Cylinders (Keyed alike)

Contents: 2 cylinders with trim rings; 2 keys.

Description: Heavy duty; **pressure cast zamac** construction; 1" length; standard 1-5/32" x 32 thread; **Schlage keyway**.

You may wish to stock these related parts: **J-4510, J-4511, J-4530; J-4531, J-4535, J4536.**

Commercial Door

J-4530 (Aluminum)

J-4531 (Bronze)

Mortise Thumbturn Cylinder

Contents: 1 thumbturn with 1/4" thick trim ring.

Description: Heavy duty; pressure cast zamac construction; interchanges with standard 1-5/32" cylinder lock.

You may also wish to stock these related parts: **J-4512, J-4513, J-4535, J-4536.**

J-4535 (Aluminum)

J-4536 (Bronze)

Cylinder Guard

Contents: 1 cylinder guard; 1 aluminum washer; 1 spring steel security C-clip.

Description: Secures any 1-5/32" diameter cylinder from "Twist-Off" or "Pry-Off" break-in attempts; diecast cylinder guard protects cylinder face from prying tool; also spins freely when attacked by any gripping device.

You may also wish to stock these related parts: **J-4512 thru J-4515.**

J-4560 (Aluminum)

J-4561 (Bronze)

Radiused Faceplates

Contents: 1 faceplate; 1 set of installation screws.

Description: Clear anodized or bronze finished aluminum faceplates; radiused; for use with J-4558 and J-4559 mortise locks.

You may wish to stock these related parts: **J-4558, J-4559.**

J-4562 (Aluminum)

J-4563 (Bronze)

Radiused Faceplates With Mohair

Contents: 1 faceplate; 1 set of installation screws.

Description: Clear anodized or bronze finished aluminum faceplates; Mohair pile weatherstrip; radiused; for use with J-4558 and J-4559 mortise locks.

You may wish to stock these related parts: **J-4558, J-4559.**

J-4567 (Aluminum)

J-4568 (Bronze)

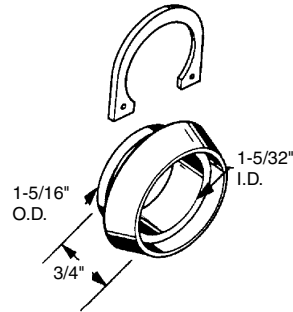
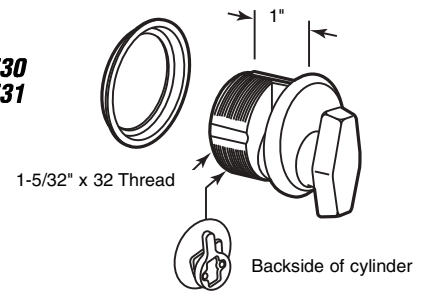
Radiused Faceplates

Contents: 1 faceplate; 1 set of installation screws.

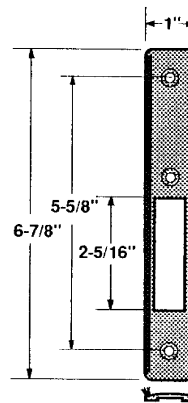
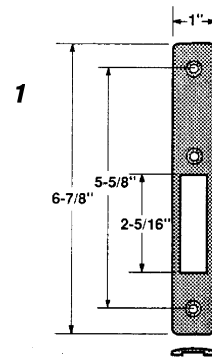
Description: Clear anodized or bronze finished aluminum faceplates; radiused; for use with no. J-4500, J-4501, J-4502, J-4503, J-4504, J-4507, J-4509 mortise locks.

You may also wish to stock these related parts: **J-4512, J-4513, J-4514, J-4515.**

J-4530
J-4531

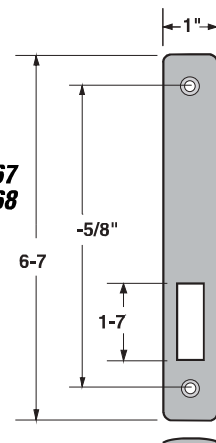


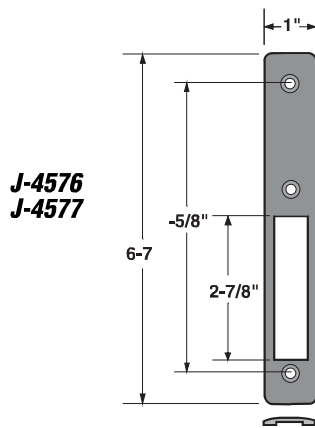
J-4



J
-4

J-4567
J-4568





J-4576
J-4577

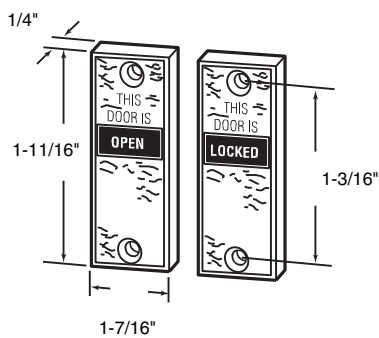
J-4576 (Aluminum)
J-4577 (Bronze)

Radiused Faceplates

Contents: 1 faceplate: 1 set of installation screws.

Description: Clear anodized or bronze finished aluminum faceplates; radiused; for use with J-4524, J-4525, J-4526, J-4527 mortise locks.

You may wish to stock these related parts: **J-4512, J-4513, J-4514, J-4515.**



J-4510
J-4511

J-4510 (Aluminum)
J-4511 (Bronze)

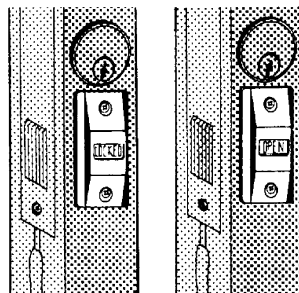
Lock Indicator

Contents: 1 faceplate; 1 "Open/Locked" sticker; nylon slide; installation parts & screws.

Description: Diecast lock indicator gives instant visual assurance that deadbolt lock is either "open" or "locked"; easily mounted to installed lock; meets requirements of Uniform Building Code.

You may also wish to stock these related part: **J-4503, J-4504, J-4507, J-4509, J-4512 thru J-4515, J-4528, J-4529, J-4534.**

J-4528
J-4



J-4528 (Aluminum)
J-4529 (Bronze)

Lock Indicator

Contents: 1 lock indicator assembly; 2 assembly pins; 2 no. 8 machine screws.

Description: Diecast open/locked indicator; for use on store front locks; meets requirements of Uniform Building Code.

You may also wish to stock these related parts: **J-4524 thru J-4527.**

J-4534



Actual Sign Reads:
"THIS DOOR TO REMAIN OPEN DURING BUSINESS HOURS"

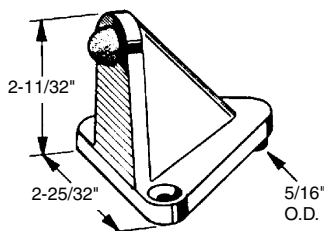
J-4534

Door Sign

Contents: 1 sign.

Description: Usually required at front exit of store; **black lettering on silver background**; reflective gloss finish; **1-1/2" wide x 30" long**; **pressure sensitive adhesive backing** permanently adheres to aluminum surfaces.

J-4522



J-4522 (Aluminum)

Floor Stop

Contents: 1 stop with installation screws.

Description: Diecast stop is floor mounted; heavy duty **rubber bumper insert**; **burnished aluminum finish.**

You may wish to stock these related parts: **J-4544, J-4545, J-4547.**

Commercial Door

J-4592 (Brushed aluminum)

J-4593 (Bronze finish)

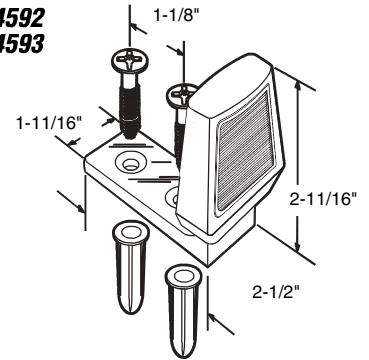
Floor Stop

Contents: 1 stop; 1 set of installation fasteners.

Description: **Wrought steel** with soft resilient **rubber** bumper, used on under cut doors up to 1-1/2".

You may also wish to stock these related parts: **J-4544** and **J-4545**.

J-4592
J-4593



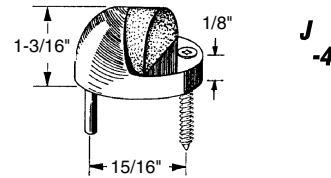
J-4544 (Brushed chrome)

J-4554 (Polished brass)

Floor Stop (Dome type)

Contents: 1 stop; 1 set of installation fasteners.

Description: **Cast brass** door stop with **rubber** bumper; mounts to floor. Meets ANSI standards.



J-4545 (Brushed chrome)

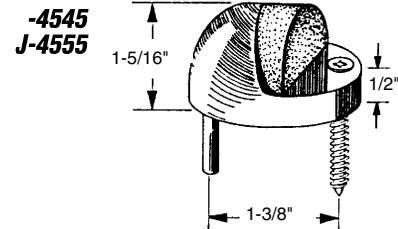
J-4555 (Polished brass)

Floor Stop (Dome type)

Contents: 1 stop; 1 set of installation fasteners.

Description: **Cast brass** door stop with **rubber** bumper; for residential or commercial use; mounts to floor. Meets ANSI standards.

You may also wish to stock these related parts: **J-4553**, **J-4554**.



J-4573 (Brushed chrome)

J-4615 (Polished brass)

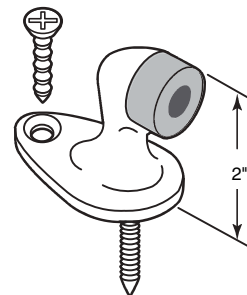
Floor Stop

Contents: 1 stop; 1 set of installation fasteners.

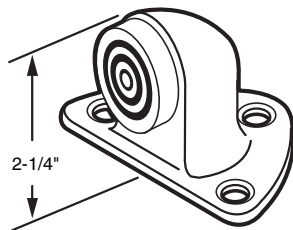
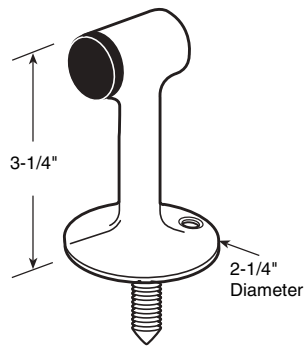
Description: **Solid brass** door stop with **rubber** bumper. 1 installation screw is concealed under base of bumper. Meets ANSI standards.

You may also wish to stock this related part: **J-4572**.

J-4573
J-4

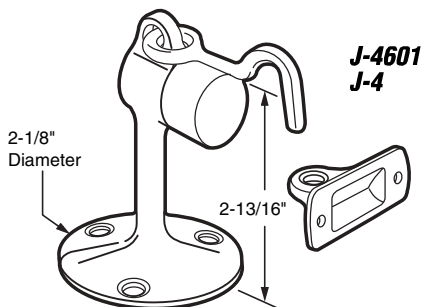
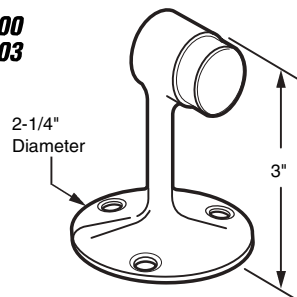


J
-4614



-4
-4654

J-4600
J-4603



J

2-1/4"
Diameter

3-5/8"

J-4547 (Brushed chrome)
J-4614 (Polished brass)

Floor Stop

Contents: 1 stop; 1 set of installation fasteners.

Description: **Cast brass** door stop with **rubber** bumper; mounts to floor. Meets ANSI standards.

J-4652 (Brushed chrome)
J-4653 (Polished brass)
J-4654 (Bronze finish)

Floor Stop

Contents: 1 stop; 1 set of installation fasteners.

Description: **Cast brass** door stop with **rubber** bumper; mounted to floor.

You may wish to stock these related parts: **J-4592; J-4593.**

J-4600 (Polished brass)
J-4603 (Brushed chrome)

Floor Stop

Contents: 1 stop; 1 set of installation fasteners.

Description: **Solid brass** stop with **rubber** bumper; uses 3 screws and 1 lag bolt for mounting.

You may wish to stock these related parts: **J-4598 and J-4599.**

J-4601 (Polished brass)
J-4602 (Brushed chrome)

Floor Stop with Holder

Contents: 1 hook mounted door stop; 1 holder; 1 anchor bolt with installation fasteners.

Description: **Solid brass** floor mount stop with **rubber** bumper; has built in hook to hold door in open position.

J-4596 (Polished brass)
J-4597 (Brushed chrome)

Wall Stop

Contents: 1 stop; 1 lag bolt; 1 set of installation fasteners.

Description: **Cast brass** wall mounted stop with **rubber** bumper to cushion door.

Commercial Door

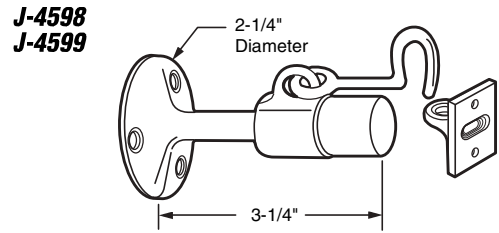
J-4598 (Brass finish)

J-4599 (Dull chrome)

Wall Stop with Holder

Contents: 1 hook mounted stop; 1 holder; 1 machine bolt with anchor; 1 set of installation fasteners.

Description: **Solid brass** stop with **rubber** bumper has built in hook to hold door in open position.

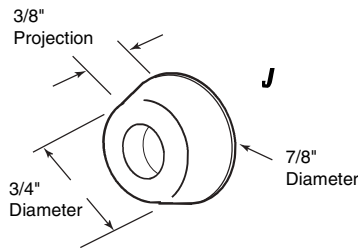


J-4713 (Clear polyurethane)

Wall Stop

Contents: 4 stops.

Description: 1" clear **polyurethane** stop, **self adhesive**, no tools required.



J-4540 (Brushed stainless)

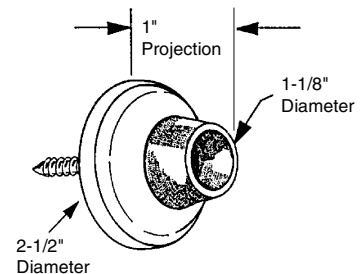
J-4542 (Polished brass)

Wall Stop

Contents: 1 Stop assembly; 1 anchor and installation screw.

Description: **Steel** retainer plate with **stamped stainless steel or brass cover** allows for concealed fastening; screw installs through retainer plate into wall anchor; **concave rubber** bumper.

You may wish to stock these related parts: **J-4544 thru J-4555**.



J-4705 (Brite brass)

J-4775 (Dull brass)

J-4776 (Dull bronze)

J-4777 (Brite chrome)

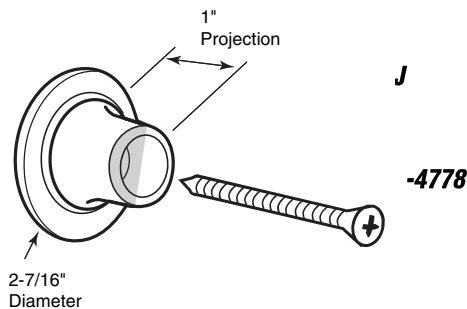
J-4778 (Satin chrome)

Wall Stop

Contents: 1 stop assembly; 1 anchor and installation screw.

Description: **Plated cast zinc base** allows for concealed fastening; screw mounts thru base plate; **concave rubber** bumper.

You may wish to stock these related parts: **J-4544 thru J-4555**.



J-4779 (Brite brass)

J-4771 (Dull brass)

J-4772 (Dull bronze)

J-4773 (Brite chrome)

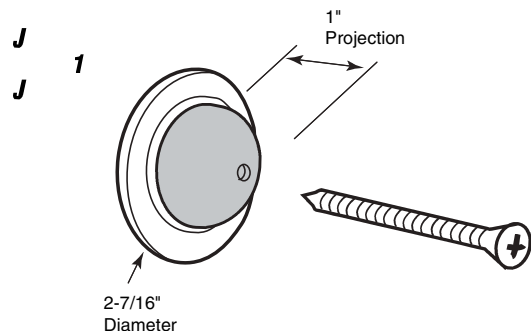
J-4774 (Satin chrome)

Wall Stop

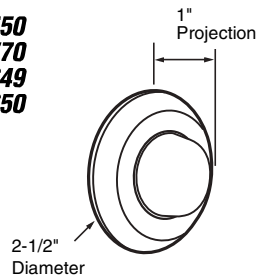
Contents: 1 stop assembly; 1 anchor and installation screw.

Description: **Plated cast zinc base** allows for concealed fastening; screw installs through retainer plate into wall anchor; **convex rubber** bumper.

You may wish to stock these related parts: **J-4544 thru J-4555**.



J-4550
J-4770
J-4649
J-4650

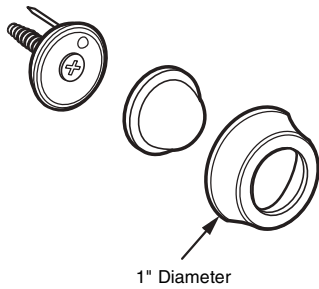


J-4550 (Polished brass)
J-4770 (Dull brass)
J-4649 (Brushed stainless)
J-4650 (Brite chrome)

Wall Stop

Contents: 1 stop assembly; 1 anchor and installation screws.

Description: Steel retainer plate with stamped brass or stainless steel cover allows for concealed fastening; screw installs through steel retainer plate into wall anchor; convex rubber bumper.



J-4570
J-4647
J-4

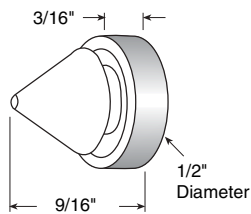
J-4570 (Polished brass)
J-4647 (Brushed chrome)
J-4648 (Bronze)
J-4724 (Polished chrome)

Wall Stop

Contents: 1 stop assembly; installation fasteners.

Description: Solid cast brass or bronze, threaded collar and base; convex rubber bumper; miniature size. Projection from wall to rubber tip is 9/16".

J

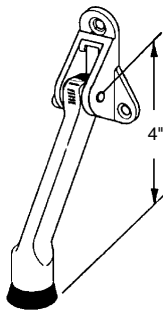


J-4566 (White)

Stop Mount Silencer

Contents: 100 silencers.

Description: Rubber bumpers or silencers; used on hollow metal jambs to deter noise when closing and to improve firm latching.



J-4523
J-4533
J-4543

J-4523 (Chrome finish)
J-4533 (Bronze finish)
J-4543 (Brass finish)

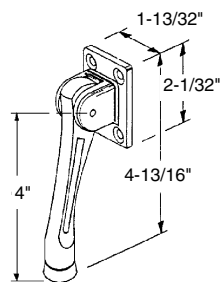
Holder

Contents: 1 holder; 1 set of installation screws.

Description: Zinc diecast holder with rubber tip; spring loaded to hold in "Up" position; good for commercial or residential application.

You may also wish to stock these related parts: **J-4551, J-4552, J-4556, J-4557.**

J



J-4537 (Chrome)
J-4538 (Bronze finish)
J-4539 (Brass finish)

Holder

Contents: 1 holder; 1 set of installation screws.

Description: Heavy duty diecast stop with rubber tip; 4 hole mounting; for commercial and residential application.

You may also wish to stock these related parts: **J-4523, J-4533, J-4543, J-4557.**

Commercial Door

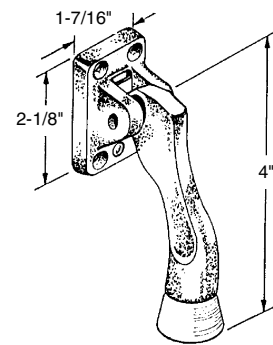
J-4551 (Aluminum finish)
J-4552 (Bronze finish)

Holder

Contents: 1 holder; 1 set of installation screws.

Description: Heavy **cast iron, spring loaded** holder with 4-hole mounting; **rubber tip**; for commercial use.

You may also wish to stock these related parts: **J-4523, J-4533, J-4543.**



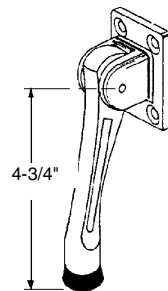
J-4551
J-4552

J-4571 (Brushed chrome)
J-4572 (Polished brass)

Holder

Contents: 1 holder; 1 set of installation screws.

Description: Heavy **cast brass** holder; 4 hole mounting; **rubber tip**. Meets ANSI standards for commercial use.



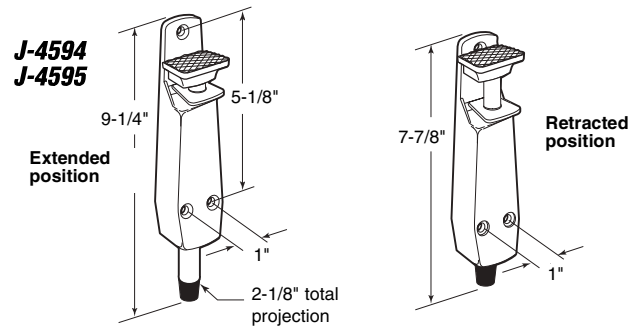
J-4571
J-4572

J-4594 (Brass finish)
J-4595 (Aluminum)

Door Holder (Plunger style)

Contents: 1 holder; 1 set of installation screws.

Description: **Plated or painted diecast**, spring loaded, door holder; large rubber foot treadle for easy step-on application; toe operated release mechanism



J-4594
J-4595

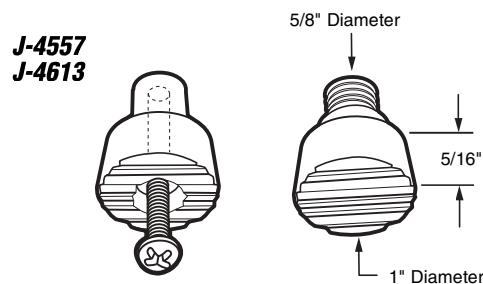
J-4556 (Black twist-In)
J-4557 (Black with screw)
J-4613 (White with screw)

Holder Tip

Contents: 2 rubber tips.

Description: Replaces worn out tips on drop down door holders.

You may wish to stock these related parts: **J-4523, J-4533, J-4537, J-4538, J-4539, J-4543, J-4551, J-4552.**



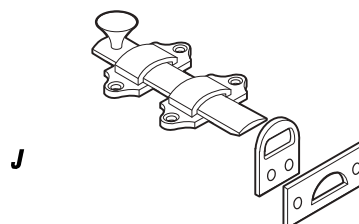
J-4557
J-4613

J-4681 (Dull Chrome)

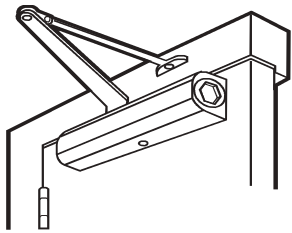
4" Dutch Door Surface Bolt

Contents: 1 slide bolt assembly; 2 keepers; installation screws.

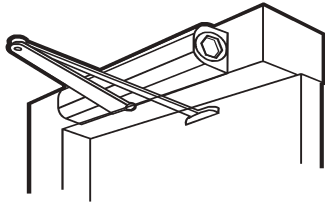
Description: **Plated cast brass; cast strike** for application without a shelf and a **stamped flat mortise strike**.



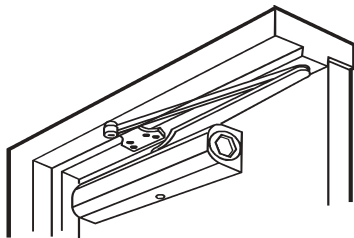
J



Standard



Top Jamb



Parallel Arm

Hydraulic Door Closers (Dual valve)

Contents: 1 closer; and all necessary hardware and fasteners.

Painted Finish-Part Number

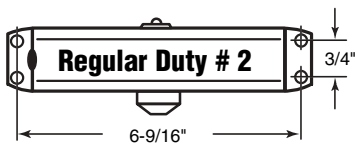
<i>Aluminum</i>	<i>Bronze</i>	<i>Duty Rating</i>
J-4609	J-4610	# 2 Regular
J-4611	J-4612	# 3 Medium
J-4706	J-4707	# 4 Heavy

Description: Cast aluminum body in painted finishes.

Features:

- U.L. Listed
- Dual valves control closing and latching speeds
- Rack and pinion operation
- Non-handed
- Hydraulic fluid for any climate operation & constant lubrication
- Mounts to most glass & aluminum doors without special adapters
- Heavy duty threaded adjustable arm with lock nut.

Body Mounting Specifications



Standard or Top Jamb Installation

Fits Door Size:

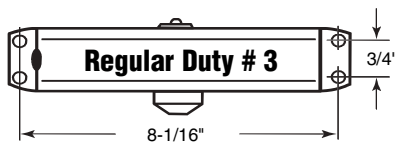
- Interior:** Out Swing 36"
In Swing 36"
- Exterior:** Out Swing 32"
In Swing 28"

Parallel Arm Installation

Fits Door Size:

- Interior:** Out Swing 32"
In Swing 32"
- Exterior:** Out Swing 28"
In Swing 24"

Door Weight 55 -100 lbs.



Standard or Top Jamb Installation

Fits Door Size:

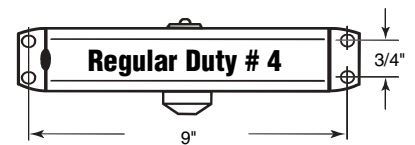
- Interior:** Out Swing 42"
In Swing 42"
- Exterior:** Out Swing 36"
In Swing 32"

Parallel Arm Installation

Fits Door Size:

- Interior:** Out Swing 36"
In Swing 36"
- Exterior:** Out Swing 32"
In Swing 28"

Door Weight 80-140 lbs.



Standard or Top Jamb Installation

Fits Door Size:

- Interior:** Out Swing 48"
In Swing 48"
- Exterior:** Out Swing 42"
In Swing 36"

Parallel Arm Installation

Fits Door Size:

- Interior:** Out Swing 42"
In Swing 42"
- Exterior:** Out Swing 36"
In Swing 32"

Door Weight 115 - 180 lbs.


Commercial Door

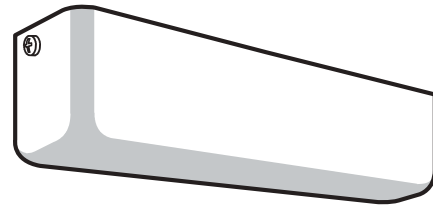
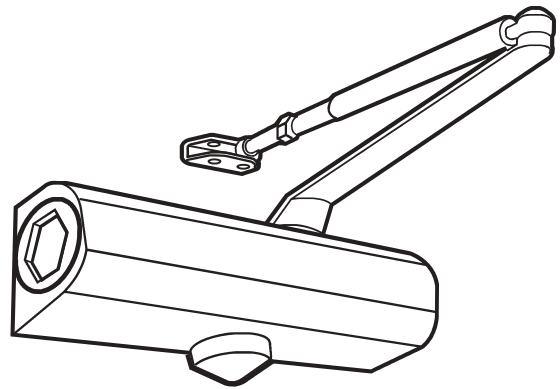
J-4728 (Aluminum finish)

Adjustable Hydraulic Door Closer

Contents: 1 closer; all necessary hardware and fasteners.

Description: Heavy duty cast aluminum body:

- Non-handed for standard, top-jamb or parallel arm installation.
- Non-sized, adjustable from #2 thru #6 and factory preset to # 3.
- Standard adjustable back-check function.
- Adjustable closing and latching speed by two separate regulating valves.
- Standard full plastic cover.
- ANSI 156.4 grade 1: U.L. listed for fire door assemblies.
-  Barrier Free (low opening resistance) for handicap (American Disabilities Act) compliance.



Description	Size	
A. Length of Closer Body	11-3/4"	
B. Horizontal Mounting Holes	11-1/8"	
C. Vertical Mounting Holes	3/4"	
D. Height of Closer Body	2"	
C. Projection from Door	2-7/8"	

Pull Plates

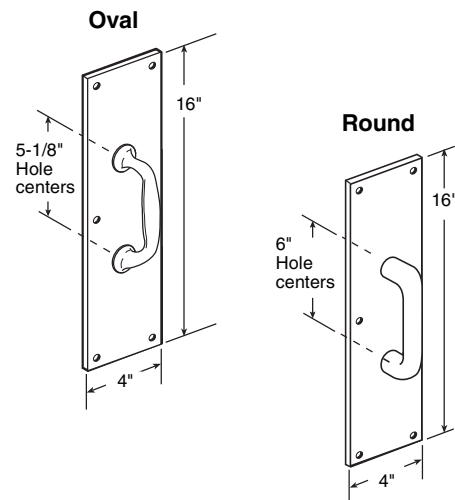
Contents: 1 pull plate assembly and installation screws.

Finish	Oval Handle	Round Handle
Satin aluminum	J-4579	J-4640
Polished brass	J-4578	J-4641
Stainless steel	-	J-4643
Bronze painted aluminum	-	J-4668

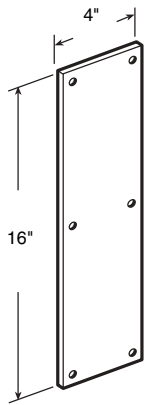
Description: Non-ferrous base metal; removable PVC protective coating on most plates; brass pulls have protective finish; bronze painted plates are powder coated; meets A.N.S.I. A156.6 specifications.

You may wish to stock these related parts: J-4657, J-4658, J-4659, J-4660.

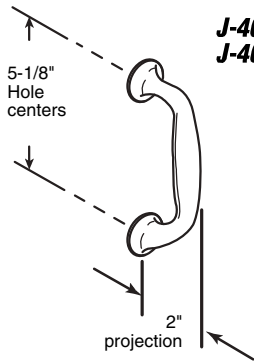
J-4579
J-4
-4



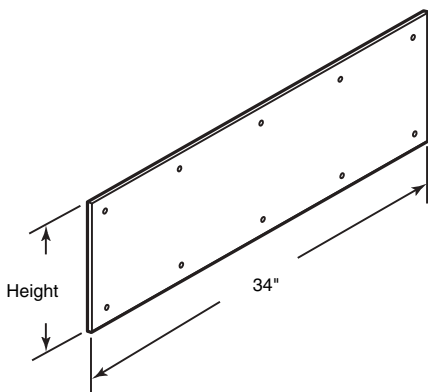
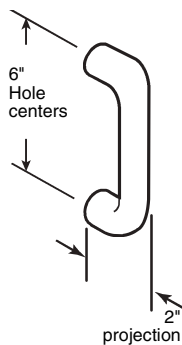
J-4580
J-4581
J-4626
J-4686
J-4



J-4657
J-4658



J
-4781



J-4580 (Polished brass)
J-4581 (Satin aluminum)
J-4626 (Stainless steel)
J-4686 (Bronze painted aluminum)
J-4630 (Brite-brass finish on aluminum)

Push Plate

Contents: 1 push plate and installation screws.

Description: Non-ferrous base metals; removable PVC protective coating on most plates; bronze painted plates are powder coated; meets A.N.S.I. A156.6 specifications.

You may wish to stock these related parts: **J-4659, J-4660.**

J-4657 (Satin aluminum)
J-4658 (Polished brass)

Pull Handle (Oval)

Contents: 1 handle and fasteners.

Description: Cast non-ferrous base metals; brass pull has protective finish.

You may wish to stock these related parts: **J-4578, J-4579, J-4640, J-4641.**

J-4659 (Satin aluminum)
J-4660 (Polished brass)
J-4780 (Stainless steel)
J-4781 (Bronze painted aluminum)

Pull Handle (3/4" round)

Contents: 1 handle and fasteners.

Description: Non-ferrous base metals; brass pull has protective finish.

You may wish to stock these related parts: **J-4580, J-4581.**

Kick Plates

Height - Part Numbers

Finish	6"	8"	10"
Satin aluminum	J-4702	J-4616	J-4620
Polished brass	J-4704	J-4617	J-4621
Stainless steel	J-4708	J-4619	J-4623
Bronze painted aluminum	-	J-4631	J-4638
Brite-brass finish on aluminum	J-4703	J-4618	J-4622

Contents: 1 - 34" kickplate and installation screws.

Description: Non-ferrous base metals; removable PVC protective coating on most plates; bronze painted plates are powder coated; 34" width gives full door coverage on 36" wide doors allowing clearance for door stop.

Note: Custom sizes available on all finishes, except the painted bronze.

Commercial Door

Full Mortise Hinges

PLAIN BEARING (2 per pkg.)

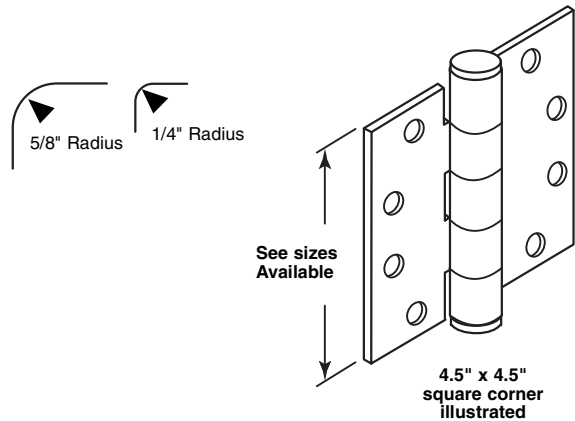
Finish - Part Numbers

Size	Corners	Dull Brass	Prime Coat	Dull Chrome
3.5" x 3.5"	Square	U-10028	-	-
3.5" x 3.5"	1/4" radius	U-10029	-	-
3.5" x 3.5"	5/8" radius	U-10022	-	-
4" x 4"	1/4" radius	U-10023	-	-
4" x 4"	5/8" radius	U-10030	-	-
4.5" x 4.5"	Square	U-10031*	U-9165*	U-9164*

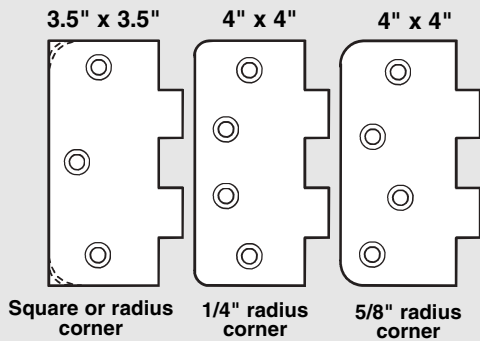
Contents: 2 hinges with fasteners.

Description: Plated and painted steel hinges; 5 knuckle; square or radiused corners; 4.5" x 4.5" hinges are supplied with non-removable pins to qualify for commercial applications.

*Note: 4.5" x 4.5" plain bearing hinges are 3 per pkg with fasteners.



Hole Specifications



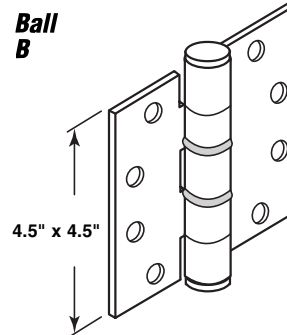
BALL BEARING

Finish - Part Numbers

Size	Corners	Dull Brass	Prime Coat	Dull Chrome
4.5" x 4.5"	square	U-10032	U-9167	U-9166

Contents: 3 hinges with fasteners.

Description: Plated and painted steel hinges; 5 knuckle; available in square corner only; 4.5" x 4.5" hinges are supplied with non-removable pins, to qualify for commercial applications.



SPRING HINGE

Finish - Part Numbers

Size	Corners	Dull Brass	Prime Coat	Dull Chrome
3.5" x 3.5"	1/4" radius	U-9225	-	U-10024
4" X 4"	1/4" radius	U-9339	-	U-10025
4" X 4"	5/8" radius	U-10026	-	-
4" X 4"	Square	-	U-9251	-
4.5" X 4.5"	Square	U-9315	U-9169	U-9168

Contents: 1 hinge with fasteners.

Description: Plated and painted steel spring hinges; 3 knuckle; spring tension is fully adjustable.

