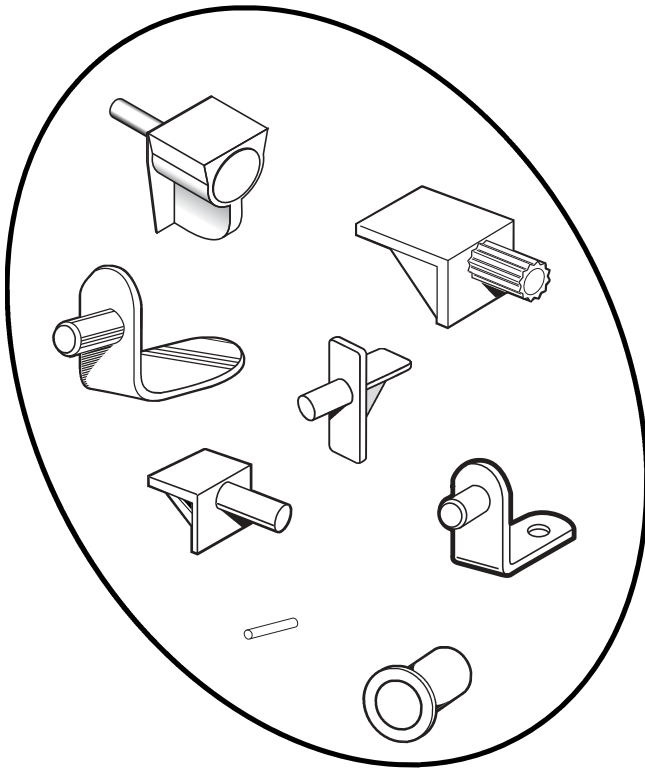


The following pages include a comprehensive selection of shelf peg styles, colors, finishes and peg diameters.

Actual Peg Diameter

- 3 mm (1/8" approx)
- 4 mm (5/32" approx)
- 5 mm (3/16" approx)
- 1/4"
- 7 mm (9/32" approx)



Shelf Support Pegs (Metal)

Contents: 8 pegs.

Peg Diameter	Finish (Part Number)		
	Brass	Nickel	Black
4 mm	U-9300	U-9301	---
5 mm	U-9335	U-9337	U-9336
1/4"	U-9116*	U-9150*	U-9350
7 mm	U-9347	U-9349	U-9348

Description: Spoon style support pegs frequently used in stereo and storage cabinets with glass shelving.

*Econo-pack availability: Call for pack quantities.

U-9149 (Brass finish)*

U-9293 (Nickel finish)*

Shelf Support Pegs (Metal)

Contents: 8 pegs.

Description: 5mm diameter peg; screw slot allows shelf to be fastened to peg; frequently used for heavily loaded shelves.

*Econo-pack availability: Call for pack quantities.

U-9054 (Brass finish)*

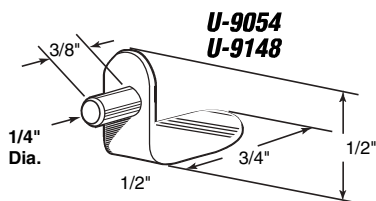
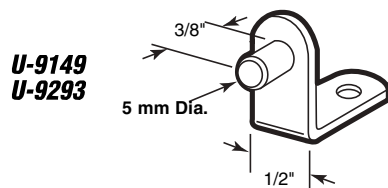
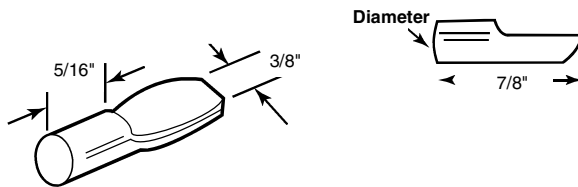
U-9148 (Nickel finish)*

Shelf Support Peg (Metal)

Contents: 8 pegs.

Description: 1/4" diameter peg; used in stereo and storage cabinets.

*Econo-pack availability: Call for pack quantities.

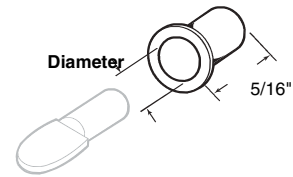


Peg Grommet (Steel)

Contents: 12 pegs.

Peg Diameter	Finish (Part Number)		
	Brass	Black	Nickel
5 mm	U-9354	U-9355	U-9356
1/4"	U-9351	U-9352	U-9353
7 mm	U-9357	U-9358	U-9359

Description: Plated steel grommets provide extra strength to shelf support pegs.

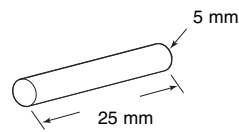


U-9345 (Brass finish)
U-9346 (Nickel finish)

Shelf Support Peg (Steel)

Contents: 12 pegs.

Description: Steel support peg; may be used with peg grommets.



U-9345
U-9346

U-9294 (Nickel finish)*
U-9295 (Brass finish)*

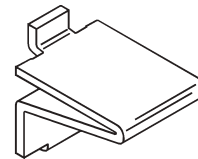
Shelf Bracket (Steel)

Contents: 12 brackets.

Description: Metal brackets fits *Knape & Vogt* and other shelf support systems; designed for use with pilaster style standards.

*Econo-pack availability: Call for pack quantities.

U-9294
U-9295

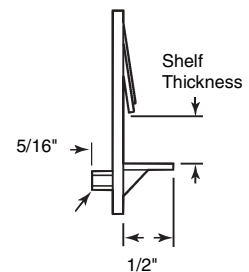
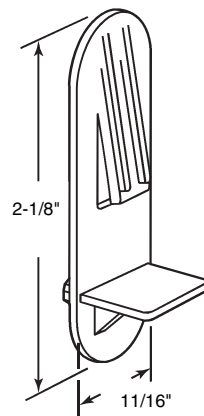


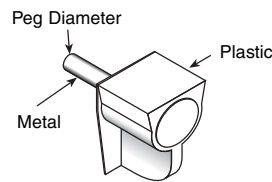
Shelf Support Peg (Plastic)

Contents: 6 pegs.

Peg Diameter	Shelf Thickness	Color	Part No.
5 mm	1/2"	Black	U-9388
5 mm	1/2"	Clear	U-9389
5 mm	5/8"	Brown	U-9392
5 mm	5/8"	Clear	U-9393
5 mm	3/4"	Brown	U-9396
5 mm	3/4"	Clear	U-9397
1/4"	1/2"	Brown	U-9390
1/4"	1/2"	Clear	U-9391
1/4"	5/8"	Brown	U-9394
1/4"	5/8"	Clear	U-9395
1/4"	3/4"	Brown	U-9117
1/4"	3/4"	Clear	U-9398

Description: Self-locking shelf supports hold wood shelving securely in place.





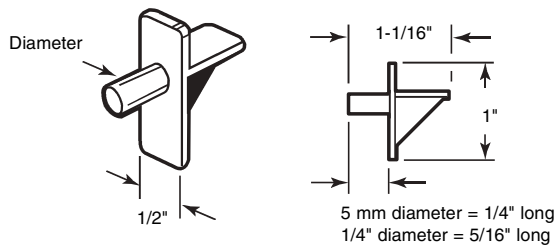
Shelf Support Peg (Plastic with steel peg)

Contents: 8 pegs.

Peg Diameter	Color (Part Number)		
	Clear	Brown	White
3 mm	U-9302	U-9303	U-9304
5 mm	U-9292*	U-9277	U-9187*

Description: Plastic shelf support with steel peg provides added strength.

*Econo-pack availability: Call for pack quantities.



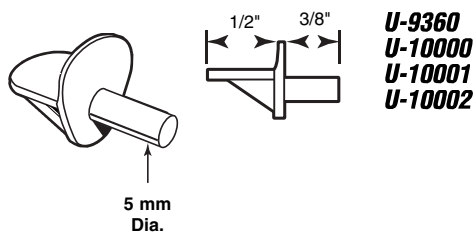
Shelf Support Pegs (Plastic)

Contents: 12 pegs.

Peg Diameter	Color (Part Number)				
	Brown	Clear	White	Almond	Beige
5 mm	U-9381	U-9384	U-9383	U-9382	---
1/4"	U-9001*	U-9147*	U-9188*	U-9296*	U-9258

Description: Plastic construction; used to mount shelving in cabinets and storage compartments.

*Econo-pack availability: Call for pack quantities.



U-9360 (Clear)

U-10000 (Brown)

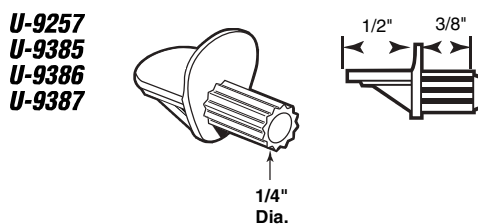
U-10001 (White)

U-10002 (Almond)

"Mini" Shelf Support Peg (Plastic)

Contents: 12 pegs.

Description: "Mini" style shelf support pegs frequently used in stereo and display cabinets.



U-9257 (Clear)*

U-9385 (Brown)

U-9386 (Almond)

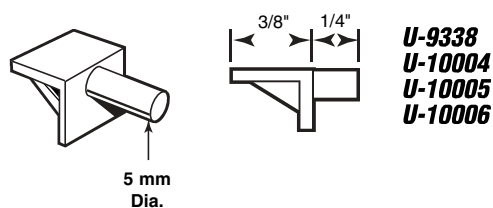
U-9387 (White)

"Mini" Shelf Support Peg (Plastic)

Contents: 12 pegs.

Description: "Mini" style shelf support pegs frequently used in stereo and display cabinets.

*Econo-pack availability: Call for pack quantities.



U-9338 (White)

U-10004 (Brown)

U-10005 (Clear)

U-10006 (Almond)

"Mini" Shelf Support Peg (Plastic)

Contents: 12 pegs.

Description: "Mini" style shelf support pegs frequently used in stereo and display cabinets.

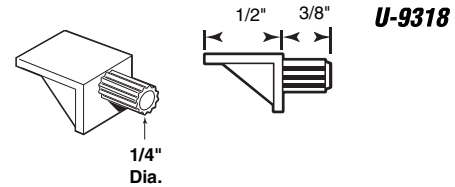
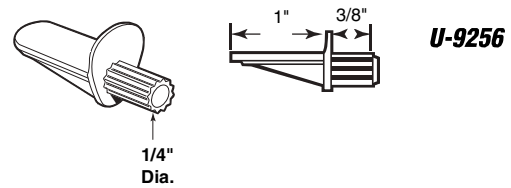
U-9256 U-9318*

Shelf Support Pegs (Plastic)

Contents: 12 pegs.

Description: Clear plastic pegs; used to support cabinet shelves.

*Econo-pack availability: Call for pack quantities.



Shelf Peg Hole Plugs

Contents: 48 plugs.

Color (Part Number)

Hole Size	White	Beige	Brown
5 mm	U-10033	U-10034	U-10035
1/4"	U-10039	U-10040	U-10041

Description: Plastic plugs; used to plug 5 mm and 1/4" shelf peg holes in cabinetry, where a finished look is desirable; colors blend with a variety of finishes.



U-9151 (Chrome finish)

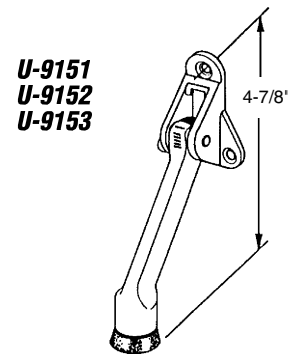
U-9152 (Bronze finish)

U-9153 (Brass finish)

Door Holder

Contents: 1 holder; 1 set of installation screws.

Description: Zinc diecast holder with rubber tip; spring loaded to hold in "up" position; good for commercial applications.



U-10071 (Brass finish)

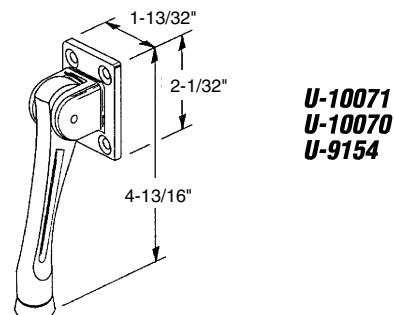
U-10070 (Bronze finish)

U-9154 (Chrome finish)

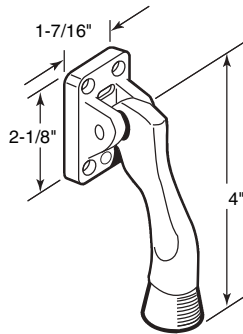
Door Holder

Contents: 1 holder; 1 set of installation screws.

Description: Heavy duty diecast stop with rubber tip; 4 hole mounting; spring loaded; for commercial and residential applications.



U-9219
U-9220



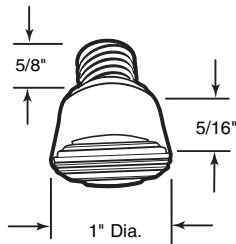
U-9219 (Aluminum finish)
U-9220 (Bronze finish)

Door Holder

Contents: 1 holder; 1 set of installation screws.

Description: Heavy cast iron; spring loaded holder with 4 hole mounting; rubber tip; for commercial use.

U-9162

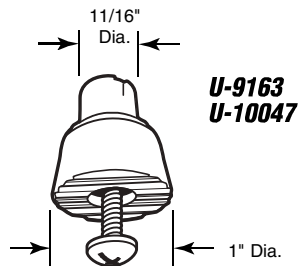


U-9162 (Black twist-in)
U-9163 (Black with screw)
U-10047 (White with screw)

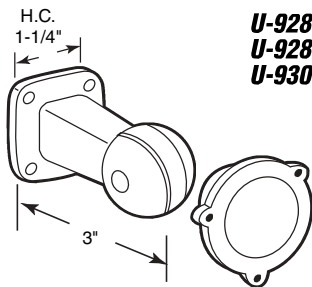
Door Holder Tip

Contents: 2 rubber tips.

Description: Replaces worn out tips on drop down door holders.



U-9280
U-9281
U-9307



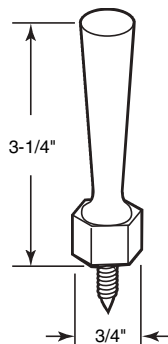
U-9280 (Ivory)
U-9281 (Brown)
U-9307 (White)

Magnetic Door Holder

Contents: 1 holder; 1 retainer; 1 set of installation screws.

Description: Plastic housing with magnetic insert; may be wall or floor mounted; spring loaded retainer mounts to door.

U-9142
U-9143
U-9266



U-9142 (Ivory)
U-9143 (Brown)
U-9266 (White)

Door Stop

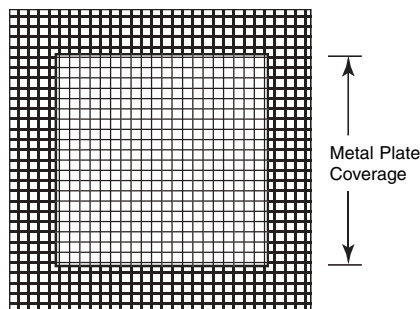
Contents: 3 door stops.

Description: Flexible vinyl stop with steel screw insert; prevents door handle from hitting wall. This unique one-piece construction is commonly used where children or infants play; proven to be much safer than standard spring actuated stops with plastic tips.

"Patch-It" Drywall Repair

Part no.	Coverage	Contents
U-9313	2" x 2"	1 pc.
U-9282	4" x 4"	1 pc.
U-9283	6" x 6"	1 pc.
U-9284	8" x 8"	1 pc.

Description: Metal plate filler; rust proof; self-adhesive; fiberglass mesh surface improves plaster adhesion; used to repair holes in drywall.

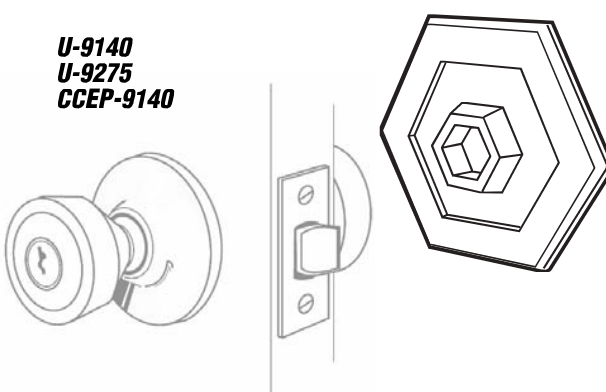


U-9140 (Ivory)
U-9275 (White)
CCEP-9140 (Ivory - bulk: 40 per box)

Wall Protector (5" hexagon)

Contents: 1 shield

Description: Flexible vinyl; self-adhesive; paintable; protects interior walls from impact damage by shielding contact point of wall and door knob; repairs damaged walls.



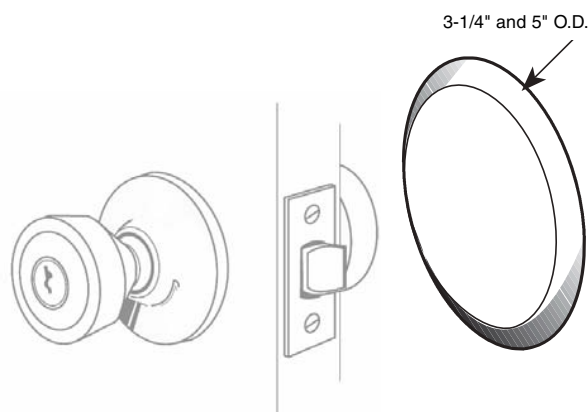
Wall Protector

Contents: 1 shield.

Diameter	Textured Surface		Smooth Surface	
	Ivory	White	Ivory	White
3-1/4"	U-9185*	U-9243	U-9267	U-9270
5"	U-9186*	U-9244	U-9268	U-9271

Description: Rigid vinyl; self adhesive; protects interior walls from impact damage by shielding contact point of wall and door knob; repairs damaged walls.

*Bulk: CCEP-9185 - 100 per box.
 CCEP-9186 - 50 per box.

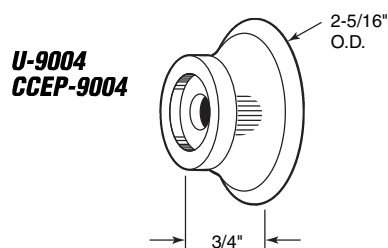


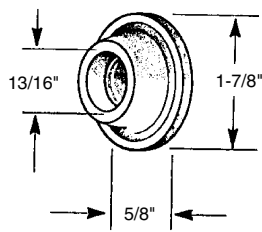
U-9004 (Clear - carded)
CCEP-9004 (Clear - bulk - 40 per box)

Door Bumper

Contents: 2 door stops; 2 no. 6 x 1-1/4" Phillips pan head sheet metal screws; 2 no. 6 x 1" plastic anchors.

Description: Clear soft vinyl; protects against marred walls; absorbs impact of door knob at contact point with wall; easily detached from wall by removing screw. Clear plastic construction is unassuming and allows paint colors or wall paper design to show through.





U-9029
U-9032

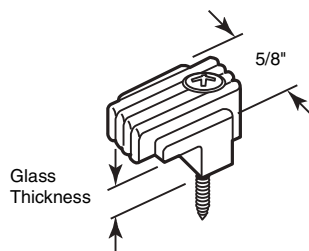
U-9029 (White)
U-9032 (Gray)

Door Bumper

Contents: 2 bumpers.

Description: Solid rubber; concave center; self-adhesive; absorbs impact of door knob at contact point with wall.

U-9002
U-9003
CCEP-9003
CCSC-9003

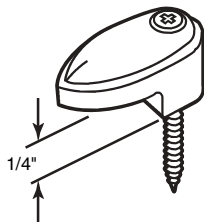


U-9002 (1/8" glass - carded)
U-9003 (1/4" glass - carded)
CCEP-9003 (1/4" glass - bulk - 6 per bag - 100 bags/box)
CCSC-9003 (1/4" glass - bulk - 6 per bag - 50 bags/box)

Mirror Clip

Contents: 6 clips; 6 no. 6 x 1-1/4" Phillips flat head sheet metal screws; 6 no. 6 x 1" plastic anchors.

Description: Clear plastic clips fit 1/8" or 1/4" thick mirror glass; conventional design.



U-9137

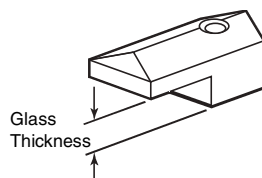
U-9137 (1/4" glass)

Mirror Clip

Contents: 6 clips; 6 no. 6 x 1-1/4" Phillips flat head sheet metal screws; 6 no. 6 x 1" plastic anchors.

Description: Clear plastic clips fit 1/4" thick mirror glass; decorator design.

U-9276
U-9278



U-9276 (1/8" glass)
U-9278 (1/4" glass)

Mirror Clip

Contents: 6 clips; 6 no. 6 x 1-1/4" Phillips flat head sheet metal screws; 6 no. 6 x 1" plastic anchors.

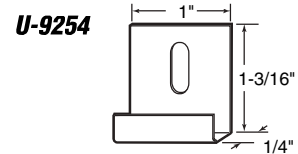
Description: Clear plastic clips fit 1/8" or 1/4" thick mirror glass; contemporary design.

U-9254 (1/4" glass)

Mirror Hanger

Contents: 6 hangers; 6 installation screws.

Description: Stainless steel hangers; designed to hold mirror securely to wall; use at top and bottom of mirror; slot allows 1/2" of adjustment for ease of installation.

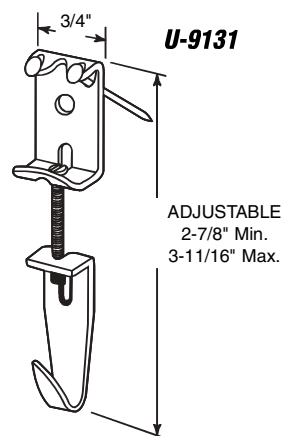


U-9131

Picture and Mirror Hanger Assembly

Contents: 2 hangers; 4 nails.

Description: Heavy duty steel hanger assembly consists of 1 fixed bracket and 1 adjustable bracket; allows 1" of vertical adjustment.

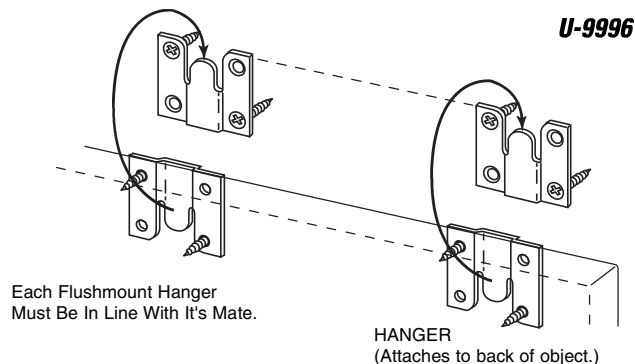


U-9996

Picture and Mirror Hanger Assembly

Contents: 2 sets; 2 sets of installation screws.

Description: Steel hangers designed for flush mount applications; each pair consists of one wall bracket and one frame bracket.



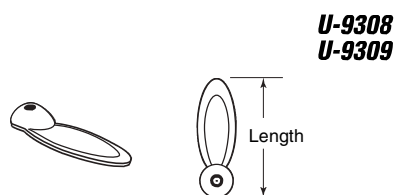
U-9308 (3/4" length)

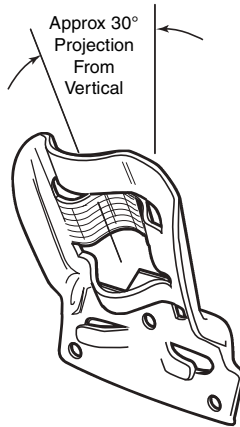
U-9309 (1" length)

Picture Retainer Clips

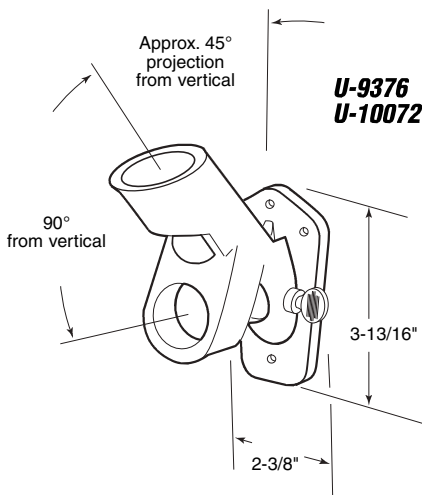
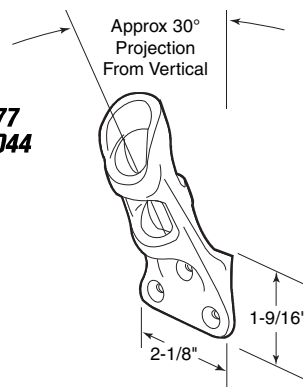
Contents: 8 clips with nails.

Description: Metal clips installed on back of picture frame; secures matting, art and backing in position.

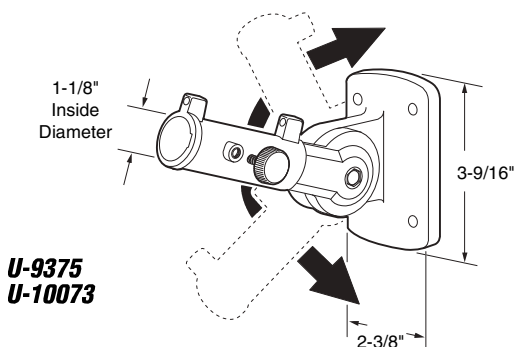




U-9377
U-10044



U-9376
U-10072



U-9375
U-10073

Banner and Flag Pole Holders (Steel)

Contents: 1 holder; 1 set of installation screws.

Finish (Part Number)

Pole Diameter	Clear Zinc Plated	Brass Plated	White Painted
3/4"	U-9378	U-10042	U-9379
1"	U-10020	U-10043	U-10021

Description: Sturdy painted or plated steel construction; weather resistant; 30° projection from vertical.

Call for Availability

U-9377 (Mill finish)
U-10044 (White painted)

Flag Pole Holder (Cast aluminum)

Contents: 1 holder; 1 set of installation fasteners.

Description: Rustproof; holds poles up to 3/4" diameter; 30° projection from vertical.

Call for Availability

U-9376 (Off-white)
U-10072 (Brown)

Banner and Flag Pole Holder (Heavy duty plastic)

Contents: 1 holder with set screws; 1 set of installation fasteners.

Description: 45° and 90° projections from vertical; holds poles up to 1-1/8" diameter; thumbscrews secure pole to holder; sturdy support base.

Call for Availability

U-9375 (Off-white)
U-10073 (Brown)

Banner and Flag Pole Holder (Deluxe plastic)

Contents: 1 holder with set screws; 1 set of installation fasteners.

Description: Fully adjustable angle settings; holds pole up to 1-1/8" diameter and windsock rods up to 1/4" diameter; knurled head thumbscrew secures pole to holder.

Builder's Hardware

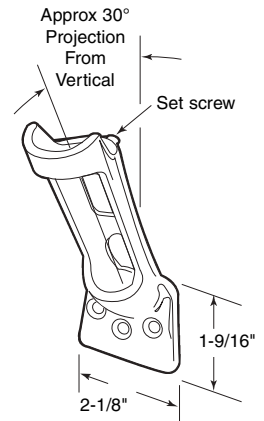
U-9380 (1" pole)
U-10074 (3/4" pole)

Flag Pole Holder (Polished brass)

Contents: 1 holder; 1 set of installation fasteners.

Description: Solid brass; holds 3/4" or 1" diameter poles; supports up to 95 lbs per unit. Very attractive, upscale holder.

U-9380
U-10074



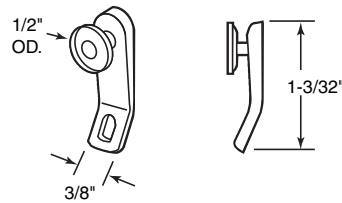
U-9016

Drapery Track Carrier

Contents: 12 carriers.

Description: Nylon drapery carrier fits most standard "C" style tracks.

U-9016



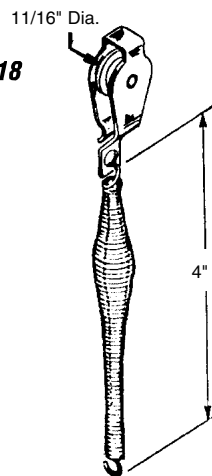
U-9118 (Plated steel housing)
U-9252 (White plastic housing)

Drapery Cord Tension Spring & Pulley

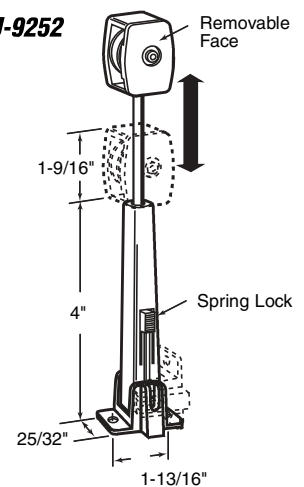
Contents: 2 pulley assemblies; 2 no. 8 x 1-1/2" Phillips pan head sheet metal screws.

Description: Spring loaded assembly; nylon roller; provides proper cord tension.

U-9118



U-9252



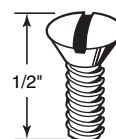
U-9015 (Ivory Head)
U-9191 (White Head)
U-9316 (Nickel Plated)

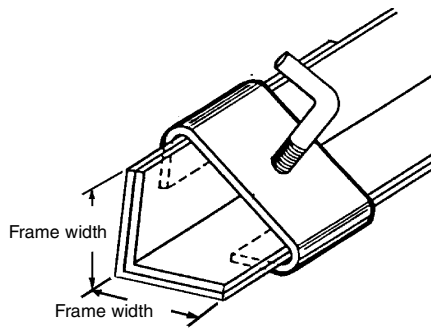
Cover Plate Screw (No. 6-32 x 1/2")

Contents: 100 screws per poly bag.

Description: Metal machine screw designed for plug and switch cover plate attachment. Painted screw head surfaces to match cover plates.

U-9015
U-9191
U-9316





U-9005
U-9013
U-9006
U-9014

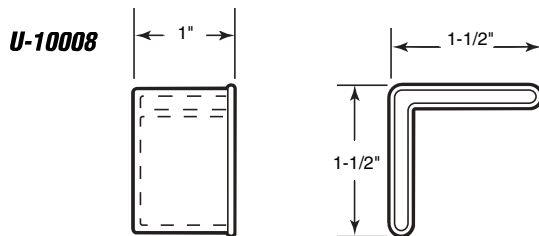
U-9005 (1" frame width - carded)
U-9013 (1" frame width - bulk)
U-9006 (1-1/4" frame width - carded)
U-9014 (1-1/4" frame width - bulk)

Bed Frame Rail Clamps

Contents: Carded- 2 per package
 Bulk- 50 pcs. in self-dispensing box.

Description: Heavy gauge **steel** bracket; **zinc plated**; used to secure bed frame meeting rails.

You may also wish to stock these related parts: **U-10008**.



U-10008

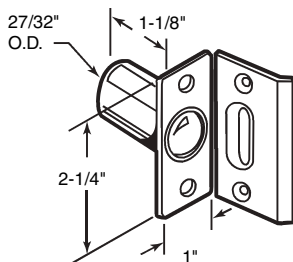
U-10008

Bed Rail End Cap (Brown)

Contents: 4 end caps.

Description: **Plastic** end caps install on end of bed frame rail.

You may also wish to stock these related parts: **U-9005**; **U-9006**.



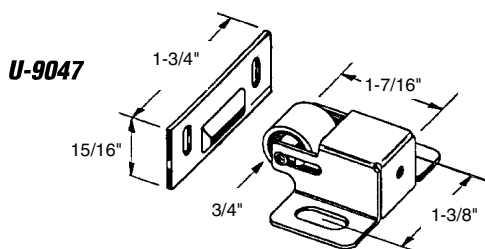
U-9132

U-9132 (Brass finish)

Bullet Catch

Contents: 1 catch; 1 strike; 1 set of installation screws.

Description: Heavy duty **plated diecast** bullet catch with **plated steel** strike; designed for use on interior closet and utility doors.



U-9047

U-9047 (Brass finish)

Roller Catch

Contents: 1 catch; 1 strike; 1 set of installation screws.

Description: **Plated steel** housing and strike; spring loaded **nylon roller**; designed for use on interior closet and cabinet doors.

Builder's Hardware

House Numbers (4-1/4")

Contents: 10 numbers with nails (Bulk Pack).

Number	Finish (Part Number)	
	Black	Brass
0	S-4110	S-4280
1	S-4111	S-4281
2	S-4112	S-4282
3	S-4113	S-4283
4	S-4114	S-4284
5	S-4115	S-4285
6	S-4116	S-4286
7	S-4117	S-4287
8	S-4118	S-4288
9	S-4119	S-4289

Description: Painted and plated diecast construction; corrosion resistant; 4-1/4" tall for easy visibility. Each number is individually poly-bagged.

House Letters (4-1/4")

Contents: 10 letters with nails (Bulk Pack).

Letter	Finish (Part Number)	
	Black	Brass
A	S-4106	S-4292
B	S-4107	S-4293
C	S-4108	S-4294
D	S-4109	S-4295
E	S-4291	S-4296
F	S-4248	S-4252

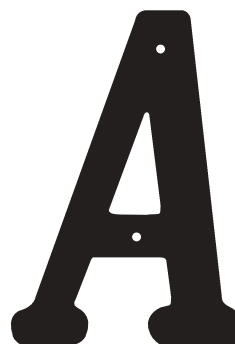
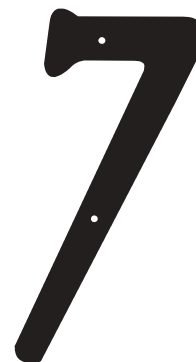
Description: Painted and plated diecast construction; corrosion resistant; 4-1/4" tall for easy visibility. Each letter is individually poly-bagged.

U-9232 (6" shelf leg x 8" wall leg)
U-9233 (10" shelf leg x 12" wall leg)

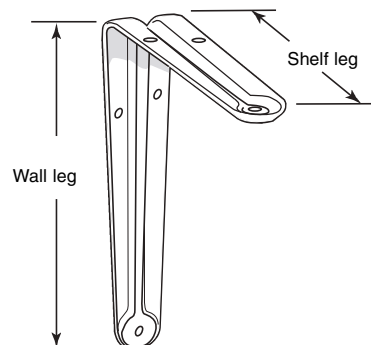
Shelf Bracket

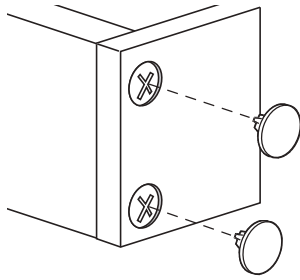
Contents: 10 brackets (Bulk).

Description: Painted gray steel shelf bracket can be used as a support or brace for various 6" and 10" shelving applications.



U-9232
U-9233





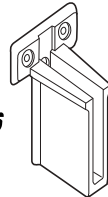
U-10036
U-10037
U-10038

U-10036 (White)
U-10037 (Beige)
U-10038 (Brown)

Screw Caps

Contents: 24 caps.

Description: Plastic caps press into drywall screw heads to offer a finished appearance to many homeowner projects.



N-7016

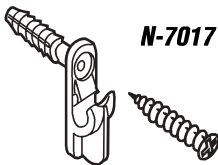
N-7016

Wire Shelf End Bracket

Contents: 2 brackets with screws.

Description: Plastic brackets used to attach wire shelving to side walls.

You may wish to stock these related parts: **N-7017**, **N-7018**, **N-7019**, **N-7020**.



N-7017

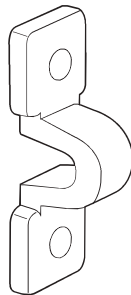
N-7017

Wire Shelf Wall Clip

Contents: 4 clips with screws.

Description: Plastic clip with built in anchor; used to secure back edge of wire rack to wall; use one clip every 12" inches.

You may wish to stock these related parts: **N-7016**, **N-7018**, **N-7019**, **N-7020**.



N-7018

N-7018

Wire Shelf Loop Clip

Contents: 4 clips with screws.

Description: Plastic clip used to clamp rear cross wire of shelf into wall stud for additional support.

You may wish to stock these related parts: **N-7016**, **N-7017**, **N-7019**, **N-7020**.



N-7019

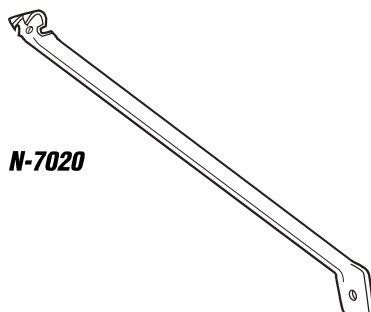
N-7019

Wire Shelf End Cap

Contents: 12 caps.

Description: Plastic end caps fit 5/16" wire; used to cap ends of cross wires on wire shelving; protects against sharp edges.

You may wish to stock these related parts: **N-7016**, **N-7017**, **N-7018**, **N-7020**.



N-7020

CCEP-7020

Wire Shelf Support Bracket (Bulk)

Contents: (10) 12" bracket.

Description: Powder coated steel bracket; supports wire shelving.

You may wish to stock these related parts: **N-7016**, **N-7017**, **N-7018**, **N-7019**.

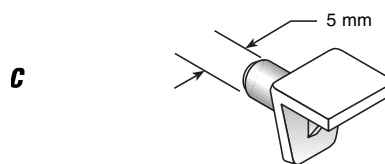
Builder's Hardware

CCEP-16046 (White)

Shelf Peg (5 mm)

Contents: 12 pegs/bag (50 bags/display box).

Description: Plastic shelf pegs with 5 mm (3/16") diameter peg; fits many K.D. style cabinets.

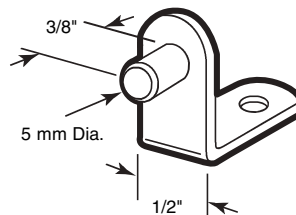


CCEP-16053 (Nickel plated)

Shelf Peg (5 mm)

Contents: 4 pegs/bag (50 bags/display box).

Description: Plated steel pegs with 5 mm (3/16") diameter peg; fits many K.D. style cabinets.



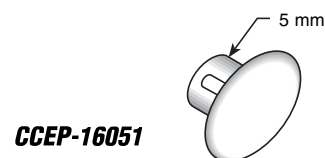
-16053

CCEP-16051 (White)

Hole Cap (5 mm)

Contents: 48/bag (50 bags/display box).

Description: Plastic hole caps neatly plug unused peg holes in many K.D. style cabinets; use in 5 mm (3/16") peg holes.

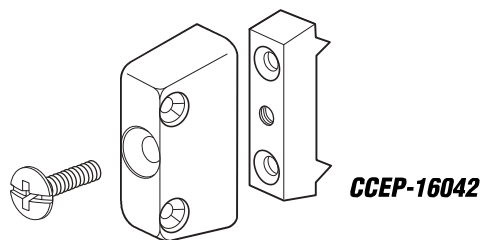


CCEP-16042 (White)

Corner Connectors

Contents: 4 connectors and (16) #6 x 1" Phillips flat head sheet metal screws (25 bags/display box).

Description: 2 piece plastic corner connectors simplify assembly of K.D. cabinet walls with strong overlap construction.

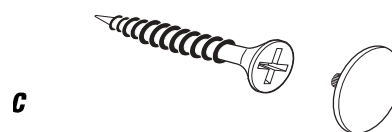


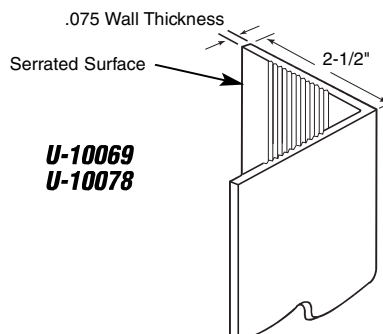
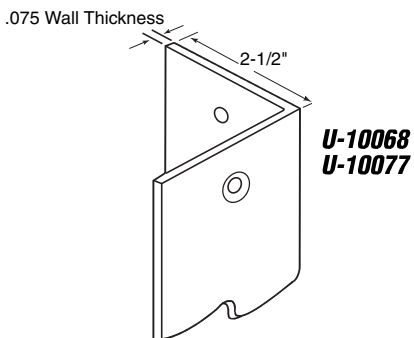
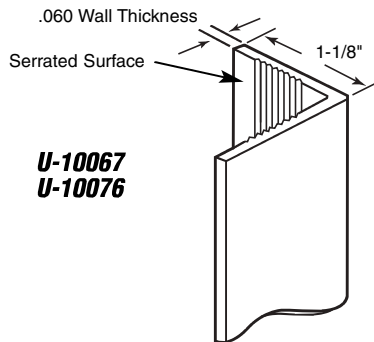
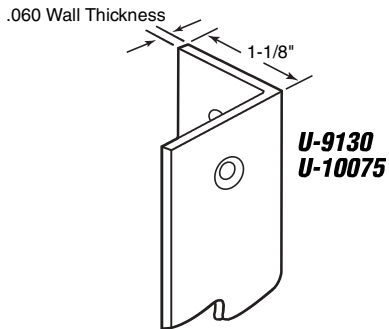
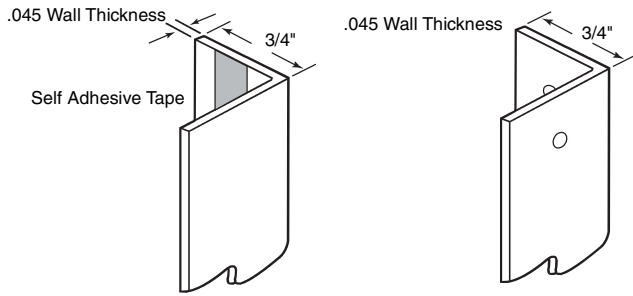
CCEP-16044

Screw and Cap

Contents: (12) #7 x 1-1/2" Phillips head fine drywall screws and 12 caps per bag (50 bags/display box).

Description: White plastic caps press into Phillips style screw heads to offer finished look; fits many K.D. style cabinet applications.





Corner Shields (3/4" x 3/4")

Contents: 1 piece; 1 set of drive nails or self adhesive backed.

Length	Color (Part Number)			
	Clear		White	
	w/holes	w/tape	w/holes	w/tape
48"	U-9129	U-10081	U-10084	U-10066
96"	U-10082	U-10083	U-10085	U-10086

Description: Extruded vinyl shield; used for protecting or repairing wall corners from chipped paint, torn wallpaper or fingerprints.

Note: Minimum order - 12 pieces.

U-9130 (48" long - with holes)

U-10075 (96" long - with holes)

Corner Shields (1-1/8" x 1-1/8")

Contents: 1 length; 1 set of #6 x 1" Phillips oval head sheet metal screws.

Description: Clear vinyl shield; pre-drilled with countersunk holes; used for protecting or repairing wall corners from chipped paint, torn wallpaper or fingerprints.

Note: Minimum order - 12 pieces.

U-10067 (48" long - no holes)

U-10076 (96" long - no holes)

Corner Shields (1-1/8" x 1-1/8")

Contents: 1 length.

Description: White vinyl shield; embossed serration on interior surface; apply latex silicon sealant to serrated surface and press on to corner; used for protecting or repairing wall corners from chipped paint, torn wallpaper or fingerprints.

Note: Minimum order - 12 pieces.

U-10068 (48" long - with holes)

U-10077 (96" long - with holes)

Corner Shields (2-1/2" x 2-1/2")

Contents: 1 length; 1 set of #6 x 1" Phillips oval head sheet metal screws.

Description: Clear vinyl shield; pre-drilled with countersunk holes; used for protecting or repairing wall corners from chipped paint, torn wallpaper or fingerprints.

Note: Minimum order - 6 pieces.

U-10069 (48" long - no holes)

U-10078 (96" long - no holes)

Corner Shields (2-1/2" x 2-1/2")

Contents: 1 length.

Description: White vinyl shield; embossed serration on interior surface; apply latex silicon sealant to serrated surface and press on to corner; used for protecting or repairing wall corners from chipped paint, torn wallpaper or fingerprints.

Note: Minimum order - 6 pieces.